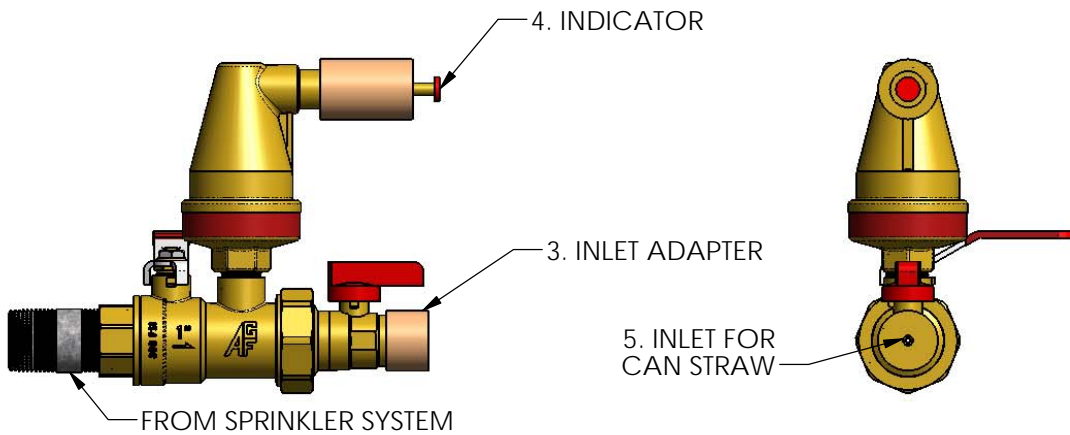
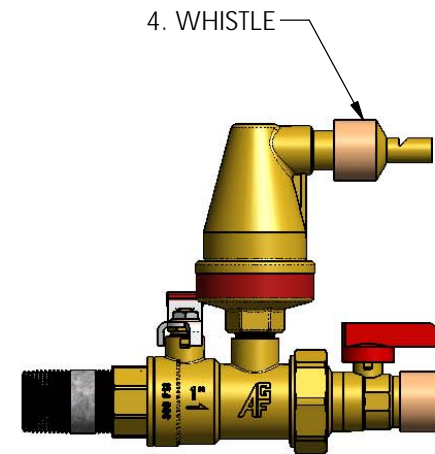
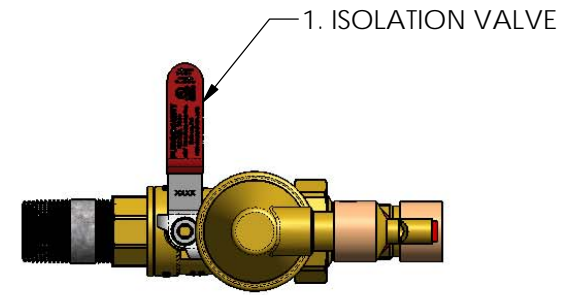


VISUAL INDICATOR, INITIAL



VISUAL INDICATOR, PRESSURIZED



AUDIBLE INDICATOR

PROCEDURE:

1. CLOSE ISOLATION VALVE
2. REMOVE CAP AND OPEN PURGE VALVE
3. ATTACH INLET ADAPTER TO PURGE VALVE
4. ATTACH VISUAL OR AUDIBLE INDICATOR TO OUTLET OF VENT
5. INSERT STRAW OF AIR CAN INTO INLET ADAPTER
6. BLOW AIR INTO ASSEMBLY TO VERIFY OPERATION WITH INDICATOR EXTENSION OR WHISTLE



AGF Manufacturing, Inc.
 100 Quaker Lane
 Malvern, PA 19355
 Ph. 610-240-4900
 Fax 610-240-4906
 www.testandrain.com

DIMENSIONS ARE IN INCHES & [mm]			
DRAWN	BFG	DATE	02SEP2020
APPR'D		DATE	
MATERIAL	VARIOUS		PROJECTION
PROJECT	REFERENCE DRAWING		
SCALE	1:4		
WEIGHT			

TITLE		7905VTK, VENT TEST KIT	
SIZE	A	PART/DRAWING NO.	AGF-T208.200
REV	A		