

TESTANDRAIN®

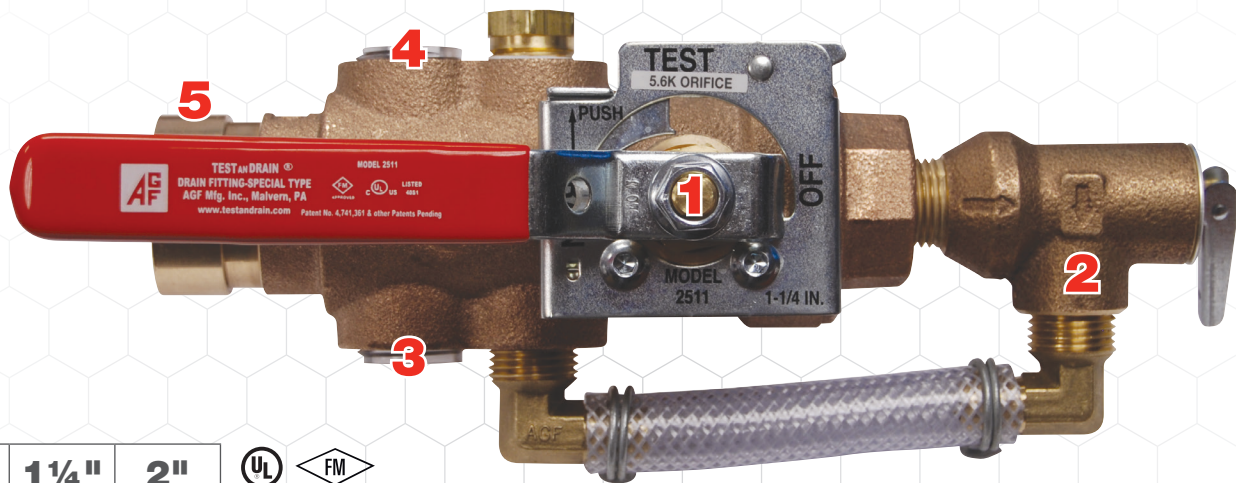
Model 2511A

WWW.TESTANDRAIN.COM

Sectional Floor Control Test and Drain Valve with Pressure Relief Kit

The TESTANDRAIN® Model 2511A Inspector's Test Valve is designed to exceed NFPA 13 code that requires provisions be made to properly drain all parts of the system.

TESTANDRAIN® valves combine the test and drain functions into one, easy-to-use, single-handle ball valve that replaces the multiple connections needed for traditional loop assemblies. To test the system simply, turn the handle counter-clockwise from "OFF" to "TEST"; the handle will stop automatically. After the test is completed, return handle to the "OFF" position. To drain the system: turn the valve handle counterclockwise from "OFF" to "TEST"; the handle will stop automatically. Then, depress the "PUSH" button and turn handle to "DRAIN". When the system is completely drained, return the handle to the "OFF" position.



Sizes:



1. Alternate handle location for difficult installations.
2. Includes pressure relief valve and drain kit.
3. Tamper-resistant test orifice.
4. Tamper-resistant sight glass.
5. Groove x Groove connections.

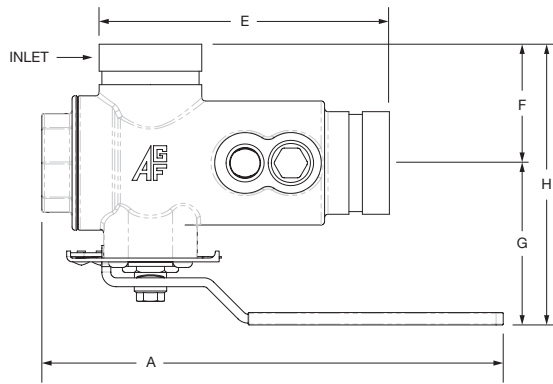
- 300 PSI Rated
- Groove x Groove Connections
- Locking Kit Available
- Repair Kit Available

NOTE: It is important to note that the pressure rating of the relief valve indicates an operating range of pressure for both opening and closing of the valve. Standard relief valves are required to OPEN in a range of pressure between 90% and 105% of their rating. The valves are required to CLOSE at a pressure above 80% of that rating. The relief valve should be installed where it is easily accessible for maintenance. Care should be taken that the relief valve CANNOT be isolated from the system when the system is operational. A relief valve should NEVER have a shutoff valve or a plug downstream of its outlet.

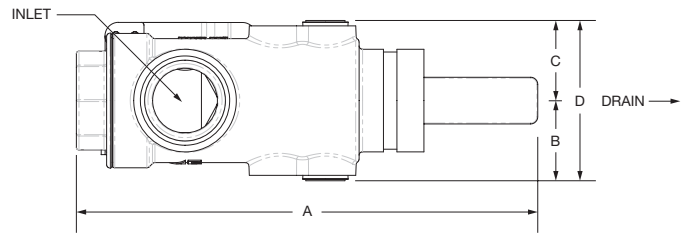


Reliability, Versatility, Code Compatibility

Model 2511A - Drain to Right



Model 2511A - Plan View



Dimensions

SIZE	A	B	C	D	E	F	G	H
1"	6¼" (159 mm)	1¼" (32 mm)	1¼" (32 mm)	2¼" (56 mm)	4½" (114 mm)	2⅛" (54 mm)	3⅜" (60 mm)	4⅛" (103 mm)
1¼"	7⅞" (192 mm)	1⅜" (33 mm)	1⅜" (33 mm)	2⅝" (66 mm)	4¾" (121 mm)	2⅜" (61 mm)	2¾" (71 mm)	5" (127 mm)
2"	10⅝" (271 mm)	1⅞" (48 mm)	1⅞" (48 mm)	3½" (88 mm)	5½" (140 mm)	2¾" (70 mm)	3¾" (95 mm)	6½" (165 mm)

The Model 2511A provides the following...

From the 2016 Edition of NFPA 13

- Chapter 8.16.2.4.1* Provisions shall be made to properly drain all parts of the system.
- Chapter 8.16.2.4.2 Drain connections, interior sectional or floor control valve(s) –
- & 8.16.2.4.3 shall be provided with a drain connection having a minimum size as shown in Table 8.16.2.4.2.
- Chapter 8.16.2.4.4 Drains shall discharge outside or to a drain capable of handling the flow of the drain.
- Chapter A.8.17.4.2 (Wet Pipe System) test connection is permitted to terminate into a drain capable of accepting full flow... using an approved sight test connection containing a smooth bore corrosion-resistant orifice giving a flow equivalent to one sprinkler...
- Chapter 8.17.4.1.2 The test connection valve shall be accessible.
- Chapter 8.17.4.1.4 shall be permitted to be installed in any location... downstream of the waterflow alarm.
- Chapter 8.17.4.2.1 (Dry Pipe System) a trip test connection not less than 1" in diameter, terminating in a smooth bore corrosion-resistant orifice, to provide a flow equivalent to one sprinkler...
- Chapter 8.17.4.2.2 The trip test connection... with a shutoff valve and plug not less than 1", at least one of which shall be brass.
- Chapter 7.1.2.1 - a wet pipe system shall be provided with a listed relief valve set to operate at 175 PSI or 10 PSI in excess of the maximum system pressure, whichever is greater.
- Chapter 8.16.1.2.3* A listed relief valve of not less than ½" in size shall be provided on the discharge side of the pressure-reducing valve set to operate at a pressure not exceeding rated pressure of the system.
- Chapter A.8.16.1.2.3 - consideration should be given to piping the discharge from the (pressure relief) valve



Orifice Sizes

2.8K, 4.2K, 5.6K, 8.0K, 11.2K (ELO), 14.0K (ESFR)

Materials

Handle Steel
 Stem Rod Brass
 Ball C.P. Brass
 Body Bronze
 Valve Seat Impregnated Teflon®
 Indicator Plate Steel
 Relief Valve Bronze
 Bypass Fittings... Brass
 Bypass Tubing Nylobraid

Approvals

UL and ULC Listed:
 (EX4019)
 NYC-BSA No. 720-87-SM



USA Patent #4741361 and other Patents Pending



AGF Manufacturing Inc.
 100 Quaker Lane, Malvern, PA 19355
 Phone: 610-240-4900
 Fax: 610-240-4906
www.agfmanufacturing.com

Job Name: _____
 Architect: _____
 Engineer: _____
 Contractor: _____