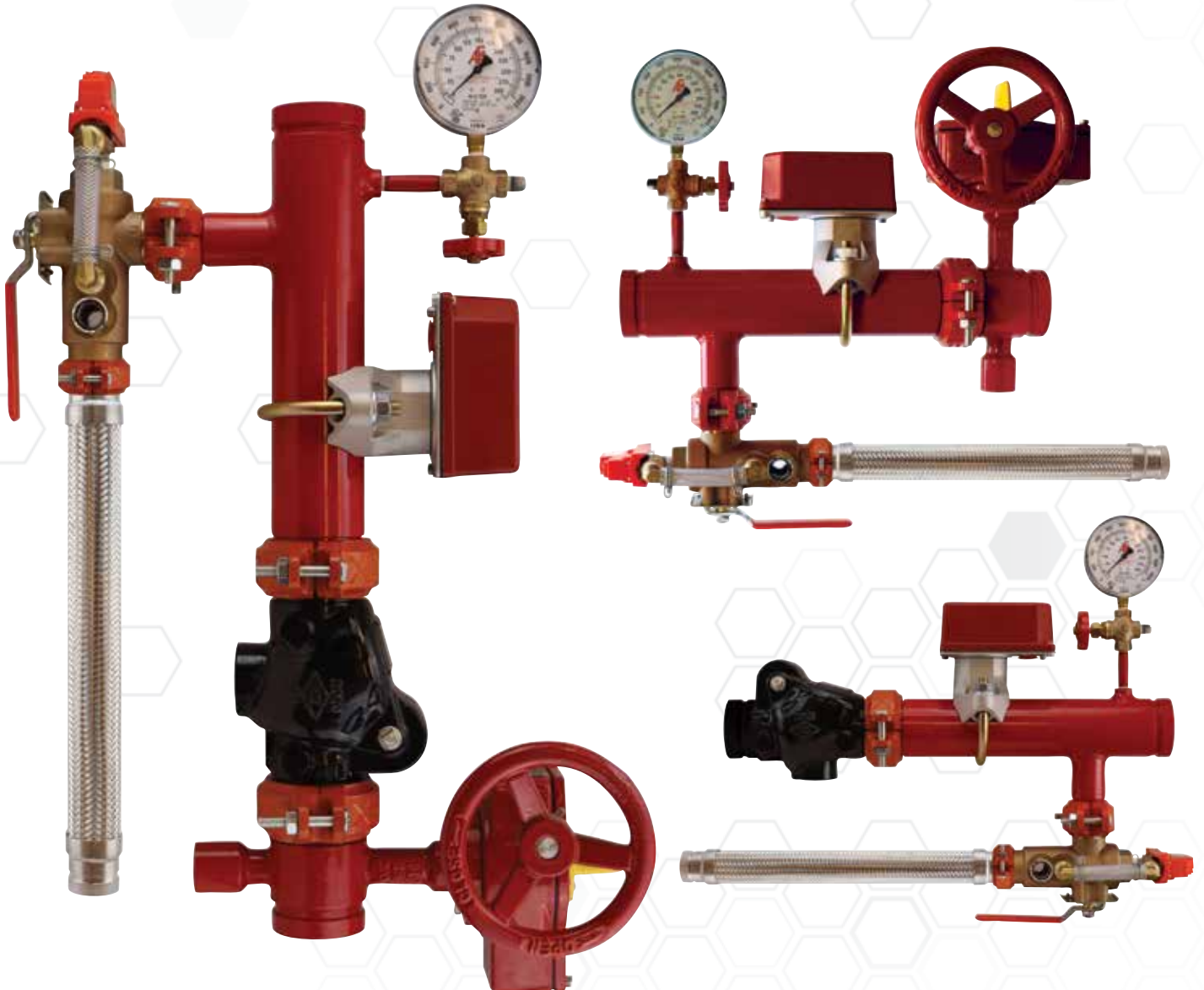




AGF Manufacturing

RISERPACK®

ULTIMATE ASSEMBLIES



Ultimate riser assemblies feature a steel manifold (2"-8"), butterfly valve or check valve (or both), 4" Model 7500 pressure gauge, 3-way universal gauge valve, TEST_{AND}DRAIN valve with drain line, waterflow alarm switch with retard, and a Model 7000L pressure relief valve (175 PSI) with drain trim; other PSI ratings are available (200, 225, or 300). The Model 7000L can be temporarily closed during hydrostatic testing so it doesn't have to be removed from the system. Refer to www.agfmfg.com for important information regarding pressure relief valve operating characteristics and how to choose the correct pressure rating for a specific application.

Ultimate Riser Assembly with Butterfly Valve, Check Valve and Drain Line

- Schedule 10
- Rolled Grooves
- Butterfly Valve
- Check Valve
- 2"-3" use TEST_{AND}DRAIN Model 2511 (Thd x Thd)
- 4"-6" use TEST_{AND}DRAIN Model 2511 (Grv x Grv)
- Flexible Stainless Steel Drain Line
- Includes Pressure Relief Valve with Drain Trim
- Horizontal or Vertical Installation

Available Options:

- Schedule 40 with Cut Groove
- Domestic Check Valve, Butterfly Valve, and Couplings
- Remove the "D" from the Part Number to order without Flexible Drain Line



Ultimate RiserPACK with Butterfly Valve and Check Valve Part Numbers							
Orifice Size		2"	2½"	3"	4"	6"	8"
K-Factor	Fractional						
2.8	3/8"	8457ABCD28	8462ABCD28	8472ABCD28	8482ABCD28	8492ABCD28	8498ABCD28
4.2	7/16"	8457ABCD42	8462ABCD42	8472ABCD42	8482ABCD42	8492ABCD42	8498ABCD42
5.6	1/2"	8457ABCD56	8462ABCD56	8472ABCD56	8482ABCD56	8492ABCD56	8498ABCD56
8.0	17/32"	8457ABCD80	8462ABCD80	8472ABCD80	8482ABCD80	8492ABCD80	8498ABCD80
11.2 (ELO)	5/8"	8457ABCD11	8462ABCD11	8472ABCD11	8482ABCD11	8492ABCD11	8498ABCD11
14.0 (ESFR)	3/4"	N/A	8462ABCD14	8472ABCD14	8482ABCD14	8492ABCD14	8498ABCD14
25.2	-	N/A	N/A	N/A	8482ABCD25	8492ABCD25	8498ABCD25

Ultimate Riser Assembly with Check Valve and Drain Line

- Schedule 10
- Rolled Grooves
- Check Valve
- Flexible Stainless Steel Drain Line

Available Options:

- Schedule 40 with Cut Groove
- Domestic Check Valve and Coupling
- Remove the "D" from the Part Number to order without Flexible Drain Line



Ultimate RiserPACK with Check Valve Part Numbers							
Orifice Size		2"	2½"	3"	4"	6"	8"
K-Factor	Fractional						
2.8	3/8"	8457ACD28	8462ACD28	8472ACD28	8482ACD28	8492ACD28	8498ACD28
4.2	7/16"	8457ACD42	8462ACD42	8472ACD42	8482ACD42	8492ACD42	8498ACD42
5.6	1/2"	8457ACD56	8462ACD56	8472ACD56	8482ACD56	8492ACD56	8498ACD56
8.0	17/32"	8457ACD80	8462ACD80	8472ACD80	8482ACD80	8492ACD80	8498ACD80
11.2 (ELO)	5/8"	8457ACD11	8462ACD11	8472ACD11	8482ACD11	8492ACD11	8498ACD11
14.0 (ESFR)	3/4"	N/A	8462ACD14	8472ACD14	8482ACD14	8492ACD14	8498ACD14
25.2	-	N/A	N/A	N/A	8482ACD25	8492ACD25	8498ACD25

Ultimate Riser Assembly with Butterfly Valve and Drain Line

- Schedule 10
- Rolled Grooves
- Butterfly Valve
- Flexible Stainless Steel Drain Line

Available Options:

- Schedule 40 with Cut Groove
- Domestic Butterfly Valve and Coupling
- Remove the "D" from the Part Number to order without Flexible Drain Line



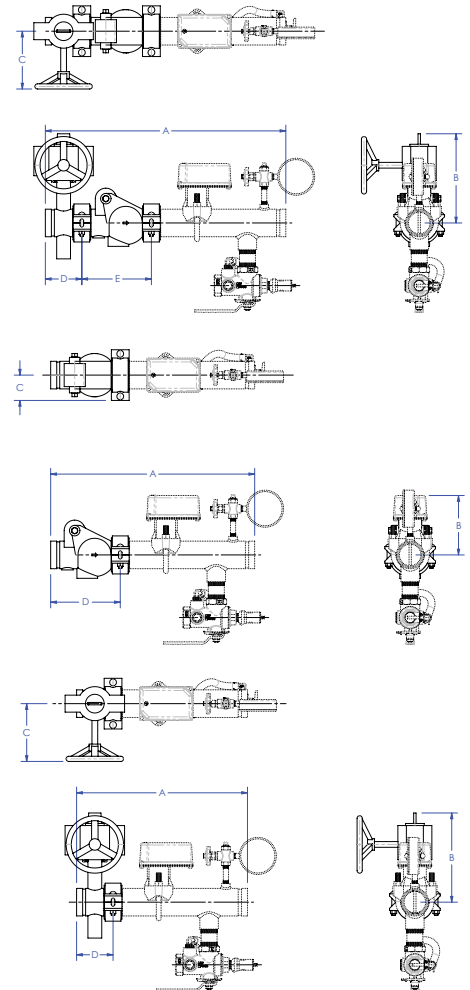
Ultimate RISERPACK with Butterfly Valve Part Numbers							
Orifice Size		2"	2½"	3"	4"	6"	8"
K-Factor	Fractional						
2.8	3/8"	8457ABD28	8462ABD28	8472ABD28	8482ABD28	8492ABD28	8498ABD28
4.2	7/16"	8457ABD42	8462ABD42	8472ABD42	8482ABD42	8492ABD42	8498ABD42
5.6	1/2"	8457ABD56	8462ABD56	8472ABD56	8482ABD56	8492ABD56	8498ABD56
8.0	17/32"	8457ABD80	8462ABD80	8472ABD80	8482ABD80	8492ABD80	8498ABD80
11.2 (ELO)	5/8"	8457ABD11	8462ABD11	8472ABD11	8482ABD11	8492ABD11	8498ABD11
14.0 (ESFR)	3/4"	N/A	8462ABD14	8472ABD14	8482ABD14	8492ABD14	8498ABD14
25.2	-	N/A	N/A	N/A	8482ABD25	8492ABD25	8498ABD25

Dimensions

Butterfly and Check Valve	Size	A	B	C	D	E
	2"	24 ⁷ / ₈ "	5 ¹ / ₈ "	2 ³ / ₄ "	4 ¹ / ₈ "	6 ³ / ₄ "
	2½"	25"	9 ¹ / ₄ "	6"	3 ³ / ₄ "	7 ¹ / ₄ "
	3"	25 ¹ / ₂ "	9 ⁷ / ₈ "	6"	3 ³ / ₄ "	7 ³ / ₄ "
	4"	26 ⁵ / ₈ "	10 ³ / ₄ "	6"	4 ¹ / ₂ "	8 ⁵ / ₈ "
	6"	30 ³ / ₄ "	12"	6"	5 ¹ / ₄ "	11 ¹ / ₂ "
	8"	33 ⁷ / ₈ "	14"	8 ¹ / ₄ "	5 ⁵ / ₈ "	14"

Check Valve	Size	A	B	C	D	E
	2"	20 ³ / ₄ "	6 ¹ / ₄ "	2 ³ / ₈ "	6 ³ / ₄ "	-
	2½"	21 ¹ / ₄ "	6 ¹ / ₄ "	2 ⁵ / ₈ "	7 ¹ / ₄ "	-
	3"	21 ³ / ₄ "	6 ¹ / ₂ "	3"	7 ³ / ₄ "	-
	4"	22 ¹ / ₈ "	7"	3 ⁵ / ₈ "	8 ⁵ / ₈ "	-
	6"	25 ¹ / ₂ "	8 ¹ / ₈ "	4 ⁷ / ₈ "	11 ¹ / ₂ "	-
8"	28"	9 ⁵ / ₈ "	6 ¹ / ₄ "	14"	-	

Butterfly Valve	Size	A	B	C	D	E
	2"	18 ¹ / ₄ "	5 ¹ / ₈ "	2 ³ / ₄ "	4 ¹ / ₈ "	-
	2½"	17 ³ / ₄ "	9 ¹ / ₄ "	6"	3 ³ / ₄ "	-
	3"	17 ³ / ₄ "	9 ⁷ / ₈ "	6"	3 ³ / ₄ "	-
	4"	18 ¹ / ₂ "	10 ³ / ₄ "	6"	4 ¹ / ₂ "	-
	6"	19 ¹ / ₄ "	12"	6"	5 ¹ / ₄ "	-
8"	19 ⁷ / ₈ "	14"	8 ¹ / ₄ "	5 ⁵ / ₈ "	-	



Domestic ultimate riser assemblies feature a steel manifold (2"-8"), butterfly valve or check valve (or both), 4" Model 7500 pressure gauge, 3-way universal gauge valve, TEST_{AND}DRAIN valve with drain line, waterflow alarm switch with retard, and a Model 7000L pressure relief valve (175 PSI) with drain trim; other PSI ratings are available (200, 225, or 300). The Model 7000L can be temporarily closed during hydrostatic testing so it doesn't have to be removed from the system. Refer to www.agfmfg.com for important information regarding pressure relief valve operating characteristics and how to choose the correct pressure rating for a specific application.

Domestic Ultimate Riser Assembly with Butterfly Valve, Check Valve and Drain Line

- Schedule 10
- Rolled Grooves
- Butterfly Valve
- Check Valve
- 2"-3" use TEST_{AND}DRAIN Model 2511 (Thd x Thd)
- 4"-6" use TEST_{AND}DRAIN Model 2511 (Grv x Grv)
- Flexible Stainless Steel Drain Line
- Includes Pressure Relief Valve with Drain Trim
- Horizontal or Vertical Installation

Available Options:

- Schedule 40 with Cut Groove
- Remove the "D" from the Part Number to order without Flexible Drain Line



Ultimate RiserPACK with Butterfly Valve and Check Valve Part Numbers							
Orifice Size		2"	2½"	3"	4"	6"	8"
K-Factor	Fractional						
2.8	3/8"	8457ABCD28-USA	8462ABCD28-USA	8472ABCD28-USA	8482ABCD28-USA	8492ABCD28-USA	8498ABCD28-USA
4.2	7/16"	8457ABCD42-USA	8462ABCD42-USA	8472ABCD42-USA	8482ABCD42-USA	8492ABCD42-USA	8498ABCD42-USA
5.6	1/2"	8457ABCD56-USA	8462ABCD56-USA	8472ABCD56-USA	8482ABCD56-USA	8492ABCD56-USA	8498ABCD56-USA
8.0	17/32"	8457ABCD80-USA	8462ABCD80-USA	8472ABCD80-USA	8482ABCD80-USA	8492ABCD80-USA	8498ABCD80-USA
11.2 (ELO)	5/8"	8457ABCD11-USA	8462ABCD11-USA	8472ABCD11-USA	8482ABCD11-USA	8492ABCD11-USA	8498ABCD11-USA
14.0 (ESFR)	3/4"	N/A	8462ABCD14-USA	8472ABCD14-USA	8482ABCD14-USA	8492ABCD14-USA	8498ABCD14-USA
25.2	-	N/A	N/A	N/A	8482ABCD25-USA	8492ABCD25-USA	8498ABCD25-USA

Domestic Ultimate Riser Assembly with Check Valve and Drain Line

- Schedule 10
- Rolled Grooves
- Check Valve
- Flexible Stainless Steel Drain Line

Available Options:

- Schedule 40 with Cut Groove
- Remove the "D" from the Part Number to order without Flexible Drain Line



Ultimate RiserPACK with Check Valve Part Numbers							
Orifice Size		2"	2½"	3"	4"	6"	8"
K-Factor	Fractional						
2.8	3/8"	8457ACD28-USA	8462ACD28-USA	8472ACD28-USA	8482ACD28-USA	8492ACD28-USA	8498ACD28-USA
4.2	7/16"	8457ACD42-USA	8462ACD42-USA	8472ACD42-USA	8482ACD42-USA	8492ACD42-USA	8498ACD42-USA
5.6	1/2"	8457ACD56-USA	8462ACD56-USA	8472ACD56-USA	8482ACD56-USA	8492ACD56-USA	8498ACD56-USA
8.0	17/32"	8457ACD80-USA	8462ACD80-USA	8472ACD80-USA	8482ACD80-USA	8492ACD80-USA	8498ACD80-USA
11.2 (ELO)	5/8"	8457ACD11-USA	8462ACD11-USA	8472ACD11-USA	8482ACD11-USA	8492ACD11-USA	8498ACD11-USA
14.0 (ESFR)	3/4"	N/A	8462ACD14-USA	8472ACD14-USA	8482ACD14-USA	8492ACD14-USA	8498ACD14-USA
25.2	-	N/A	N/A	N/A	8482ACD25-USA	8492ACD25-USA	8498ACD25-USA

Domestic Ultimate Riser Assembly with Butterfly Valve and Drain Line

- Schedule 10
- Rolled Grooves
- Butterfly Valve
- Flexible Stainless Steel Drain Line

Available Options:

- Schedule 40 with Cut Groove
- Remove the "D" from the Part Number to order without Flexible Drain Line)



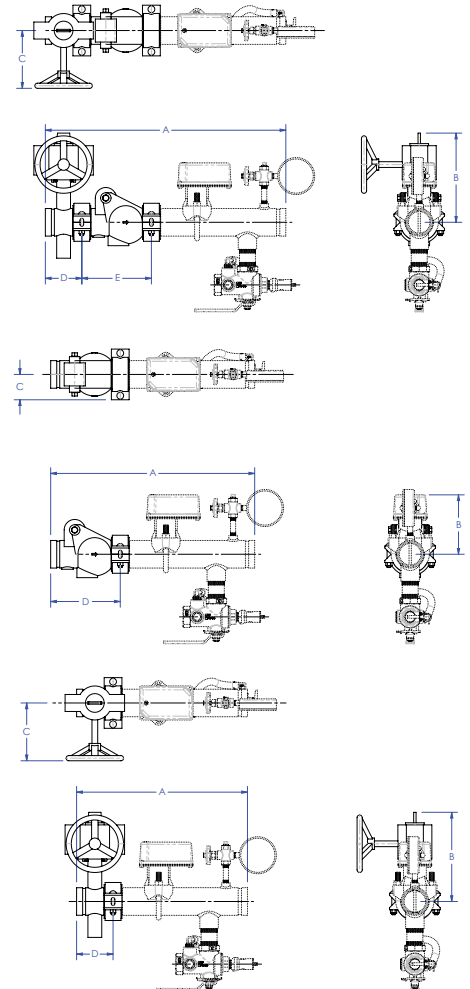
Ultimate RiserPACK with Butterfly Valve Part Numbers							
Orifice Size		2"	2½"	3"	4"	6"	8"
K-Factor	Fractional						
2.8	3/8"	8457ABD28-USA	8462ABD28-USA	8472ABD28-USA	8482ABD28-USA	8492ABD28-USA	8498ABD28-USA
4.2	7/16"	8457ABD42-USA	8462ABD42-USA	8472ABD42-USA	8482ABD42-USA	8492ABD42-USA	8498ABD42-USA
5.6	1/2"	8457ABD56-USA	8462ABD56-USA	8472ABD56-USA	8482ABD56-USA	8492ABD56-USA	8498ABD56-USA
8.0	17/32"	8457ABD80-USA	8462ABD80-USA	8472ABD80-USA	8482ABD80-USA	8492ABD80-USA	8498ABD80-USA
11.2 (ELO)	5/8"	8457ABD11-USA	8462ABD11-USA	8472ABD11-USA	8482ABD11-USA	8492ABD11-USA	8498ABD11-USA
14.0 (ESFR)	3/4"	N/A	8462ABD14-USA	8472ABD14-USA	8482ABD14-USA	8492ABD14-USA	8498ABD14-USA
25.2	-	N/A	N/A	N/A	8482ABD25-USA	8492ABD25-USA	8498ABD25-USA

Dimensions

Butterfly and Check Valve	Size	A	B	C	D	E
	2"	24"	6¼"	4"	3¼"	6¾"
	2½"	25"	6¾"	4"	3¾"	7¼"
	3"	25½"	7"	4"	3¾"	7¾"
	4"	26¾"	10"	5"	4⅝"	8⅝"
	6"	32⅝"	11"	5"	5⅝"	12¾"
	8"	33⅝"	15⅝"	7⅞"	5¼"	14⅝"

Check Valve	Size	A	B	C	D	E
	2"	20¾"	6¼"	2¾"	6¾"	-
	2½"	21¼"	6¼"	3"	7¼"	-
	3"	21¾"	6½"	3⅞"	7¾"	-
	4"	22⅞"	7"	3⅝"	8⅝"	-
	6"	26¾"	8⅞"	5"	12¾"	-
	8"	28⅝"	9⅞"	6¼"	14⅝"	-

Butterfly Valve	Size	A	B	C	D	E
	2"	17¼"	6¼"	4"	3¼"	-
	2½"	17¾"	6¾"	4"	3¾"	-
	3"	17¾"	7"	4"	3¾"	-
	4"	18⅝"	10"	5"	4⅝"	-
	6"	19⅞"	11"	5"	5⅝"	-
	8"	19¼"	15⅝"	7⅞"	5¼"	-



Corner mount ultimate riser assemblies feature a steel manifold (2"-6"), butterfly valve or check valve (or both), 4" Model 7500 pressure gauge, 3-way universal gauge valve, TEST_{AND}DRAIN valve with drain line, waterflow alarm switch with retard, and a Model 7000L pressure relief valve (175 PSI) with drain trim; other PSI ratings are available (200, 225, or 300). The Model 7000L can be temporarily closed during hydrostatic testing so it doesn't have to be removed from the system. Refer to www.agfmfg.com for important information regarding pressure relief valve operating characteristics and how to choose the correct pressure rating for a specific application.

Corner Mount Ultimate Riser Assembly with Butterfly Valve, Check Valve and Drain Line

- Schedule 10
- Rolled Grooves
- Butterfly Valve
- Check Valve
- 2"-3" use TEST_{AND}DRAIN Model 2511 (Thd x Thd)
- 4"-6" use TEST_{AND}DRAIN Model 2511 (Grv x Grv)
- Flexible Stainless Steel Drain Line
- Includes Pressure Relief Valve with Drain Trim
- Horizontal or Vertical Installation

Available Options:

- Schedule 40 with Cut Groove
- Remove the "D" from the Part Number to order without Flexible Drain Line



Ultimate RiserPACK with Butterfly Valve and Check Valve Part Numbers							
Orifice Size		2"	2½"	3"	4"	6"	8"
K-Factor	Fractional						
2.8	3/8"	8657ABCD28	8662ABCD28	8672ABCD28	8682ABCD28	8692ABCD28	8698ABCD28
4.2	7/16"	8657ABCD42	8662ABCD42	8672ABCD42	8682ABCD42	8692ABCD42	8698ABCD42
5.6	1/2"	8657ABCD56	8662ABCD56	8672ABCD56	8682ABCD56	8692ABCD56	8698ABCD56
8.0	17/32"	8657ABCD80	8662ABCD80	8672ABCD80	8682ABCD80	8692ABCD80	8698ABCD80
11.2 (ELO)	5/8"	8657ABCD11	8662ABCD11	8672ABCD11	8682ABCD11	8692ABCD11	8698ABCD11
14.0 (ESFR)	3/4"	N/A	8662ABCD14	8672ABCD14	8682ABCD14	8692ABCD14	8698ABCD14
25.2	-	N/A	N/A	N/A	8682ABCD25	8692ABCD25	8698ABCD25

Corner Mount Ultimate Riser Assembly with Check Valve and Drain Line

- Schedule 10
- Rolled Grooves
- Check Valve
- Flexible Stainless Steel Drain Line

Available Options:

- Schedule 40 with Cut Groove
- Remove the "D" from the Part Number to order without Flexible Drain Line



Ultimate RiserPACK with Check Valve Part Numbers							
Orifice Size		2"	2½"	3"	4"	6"	8"
K-Factor	Fractional						
2.8	3/8"	8657ACD28	8662ACD28	8672ACD28	8682ACD28	8692ACD28	8698ACD28
4.2	7/16"	8657ACD42	8662ACD42	8672ACD42	8682ACD42	8692ACD42	8698ACD42
5.6	1/2"	8657ACD56	8662ACD56	8672ACD56	8682ACD56	8692ACD56	8698ACD56
8.0	17/32"	8657ACD80	8662ACD80	8672ACD80	8682ACD80	8692ACD80	8698ACD80
11.2 (ELO)	5/8"	8657ACD11	8662ACD11	8672ACD11	8682ACD11	8692ACD11	8698ACD11
14.0 (ESFR)	3/4"	N/A	8662ACD14	8672ACD14	8682ACD14	8692ACD14	8698ACD14
25.2	-	N/A	N/A	N/A	8682ACD25	8692ACD25	8698ACD25

Corner Mount Ultimate Riser Assembly with Butterfly Valve and Drain Line

- Schedule 10
- Rolled Grooves
- Butterfly Valve
- Flexible Stainless Steel Drain Line

Available Options:

- Schedule 40 with Cut Groove
- Remove the "D" from the Part Number to order without Flexible Drain Line



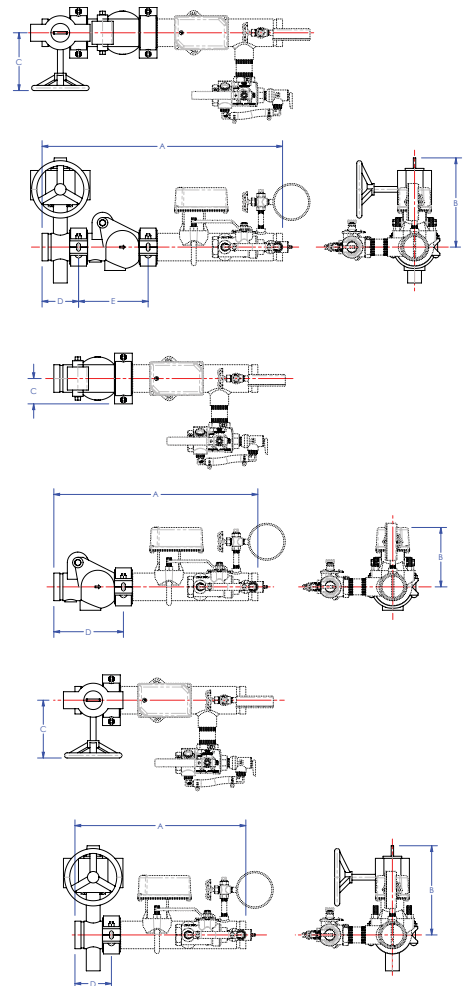
Ultimate RISERPACK with Butterfly Valve Part Numbers							
Orifice Size		2"	2½"	3"	4"	6"	8"
K-Factor	Fractional						
2.8	3/8"	8657ABD28	8662ABD28	8672ABD28	8682ABD28	8692ABD28	8698ABD28
4.2	7/16"	8657ABD42	8662ABD42	8672ABD42	8682ABD42	8692ABD42	8698ABD42
5.6	1/2"	8657ABD56	8662ABD56	8672ABD56	8682ABD56	8692ABD56	8698ABD56
8.0	17/32"	8657ABD80	8662ABD80	8672ABD80	8682ABD80	8692ABD80	8698ABD80
11.2 (ELO)	5/8"	8657ABD11	8662ABD11	8672ABD11	8682ABD11	8692ABD11	8698ABD11
14.0 (ESFR)	3/4"	N/A	8662ABD14	8672ABD14	8682ABD14	8692ABD14	8698ABD14
25.2	-	N/A	N/A	N/A	8682ABD25	8692ABD25	8698ABD25

Dimensions

Butterfly and Check Valve	Size	A	B	C	D	E
	2"	24 ⁷ / ₈ "	5 ¹ / ₈ "	2 ³ / ₄ "	4 ¹ / ₈ "	6 ³ / ₄ "
	2½"	25"	9 ¹ / ₄ "	6"	3 ³ / ₄ "	7 ¹ / ₄ "
	3"	25 ¹ / ₂ "	9 ⁷ / ₈ "	6"	3 ³ / ₄ "	7 ³ / ₄ "
	4"	26 ⁵ / ₈ "	10 ³ / ₄ "	6"	4 ¹ / ₂ "	8 ¹ / ₈ "
	6"	30 ³ / ₄ "	12"	6"	5 ¹ / ₄ "	11 ¹ / ₂ "
	8"	33 ⁷ / ₈ "	14"	8 ¹ / ₄ "	5 ⁵ / ₈ "	14"

Check Valve	Size	A	B	C	D	E
	2"	20 ³ / ₄ "	6 ¹ / ₄ "	2 ³ / ₈ "	6 ³ / ₄ "	-
	2½"	21 ¹ / ₄ "	6 ¹ / ₄ "	2 ⁵ / ₈ "	7 ¹ / ₄ "	-
	3"	21 ³ / ₄ "	6 ¹ / ₂ "	3"	7 ³ / ₄ "	-
	4"	22 ¹ / ₈ "	7"	3 ⁵ / ₈ "	8 ¹ / ₈ "	-
	6"	25 ¹ / ₂ "	8 ¹ / ₈ "	4 ⁷ / ₈ "	11 ¹ / ₂ "	-
8"	28"	9 ⁵ / ₈ "	6 ¹ / ₄ "	14"	-	

Butterfly Valve	Size	A	B	C	D	E
	2"	18 ¹ / ₄ "	5 ¹ / ₈ "	2 ³ / ₄ "	4 ¹ / ₈ "	-
	2½"	17 ³ / ₄ "	9 ¹ / ₄ "	6"	3 ³ / ₄ "	-
	3"	17 ³ / ₄ "	9 ⁷ / ₈ "	6"	3 ³ / ₄ "	-
	4"	18 ¹ / ₂ "	10 ³ / ₄ "	6"	4 ¹ / ₂ "	-
	6"	19 ¹ / ₄ "	12"	6"	5 ¹ / ₄ "	-
8"	19 ⁵ / ₈ "	14"	8 ¹ / ₄ "	5 ⁵ / ₈ "	-	



Domestic corner mount ultimate riser assemblies feature a steel manifold (2"-6"), butterfly valve or check valve (or both), 4" Model 7500 pressure gauge, 3-way universal gauge valve, TEST_{AND}DRAIN valve with drain line, waterflow alarm switch with retard, and a Model 7000L pressure relief valve (175 PSI) with drain trim; other PSI ratings are available (200, 225, or 300). The Model 7000L can be temporarily closed during hydrostatic testing so it doesn't have to be removed from the system. Refer to www.agfmfg.com for important information regarding pressure relief valve operating characteristics and how to choose the correct pressure rating for a specific application.

Domestic Corner Mount Ultimate Riser Assembly with Butterfly Valve, Check Valve and Drain Line

- Schedule 10
- Rolled Grooves
- Butterfly Valve
- Check Valve
- 2"-3" use TEST_{AND}DRAIN Model 2511 (Thd x Thd)
- 4"-6" use TEST_{AND}DRAIN Model 2511 (Grv x Grv)
- Flexible Stainless Steel Drain Line
- Includes Pressure Relief Valve with Drain Trim
- Horizontal or Vertical Installation

Available Options:

- Schedule 40 with Cut Groove
- Remove the "D" from the Part Number to order without Flexible Drain Line



Ultimate RiserPACK with Butterfly Valve and Check Valve Part Numbers							
Orifice Size		2"	2½"	3"	4"	6"	8"
K-Factor	Fractional						
2.8	3/8"	8657ABCD28-USA	8662ABCD28-USA	8672ABCD28-USA	8682ABCD28-USA	8692ABCD28-USA	8698ABCD28-USA
4.2	7/16"	8657ABCD42-USA	8662ABCD42-USA	8672ABCD42-USA	8682ABCD42-USA	8692ABCD42-USA	8698ABCD42-USA
5.6	1/2"	8657ABCD56-USA	8662ABCD56-USA	8672ABCD56-USA	8682ABCD56-USA	8692ABCD56-USA	8698ABCD56-USA
8.0	17/32"	8657ABCD80-USA	8662ABCD80-USA	8672ABCD80-USA	8682ABCD80-USA	8692ABCD80-USA	8698ABCD80-USA
11.2 (ELO)	5/8"	8657ABCD11-USA	8662ABCD11-USA	8672ABCD11-USA	8682ABCD11-USA	8692ABCD11-USA	8698ABCD11-USA
14.0 (ESFR)	3/4"	N/A	8662ABCD14-USA	8672ABCD14-USA	8682ABCD14-USA	8692ABCD14-USA	8698ABCD14-USA
25.2	-	N/A	N/A	N/A	8682ABCD25-USA	8692ABCD25-USA	8698ABCD25-USA

Domestic Corner Mount Ultimate Riser Assembly with Check Valve and Drain Line

- Schedule 10
- Rolled Grooves
- Check Valve
- Flexible Stainless Steel Drain Line

Available Options:

- Schedule 40 with Cut Groove
- Remove the "D" from the Part Number to order without Flexible Drain Line



Ultimate RiserPACK with Check Valve Part Numbers							
Orifice Size		2"	2½"	3"	4"	6"	8"
K-Factor	Fractional						
2.8	3/8"	8657ACD28-USA	8662ACD28-USA	8672ACD28-USA	8682ACD28-USA	8692ACD28-USA	8698ACD28-USA
4.2	7/16"	8657ACD42-USA	8662ACD42-USA	8672ACD42-USA	8682ACD42-USA	8692ACD42-USA	8698ACD42-USA
5.6	1/2"	8657ACD56-USA	8662ACD56-USA	8672ACD56-USA	8682ACD56-USA	8692ACD56-USA	8698ACD56-USA
8.0	17/32"	8657ACD80-USA	8662ACD80-USA	8672ACD80-USA	8682ACD80-USA	8692ACD80-USA	8698ACD80-USA
11.2 (ELO)	5/8"	8657ACD11-USA	8662ACD11-USA	8672ACD11-USA	8682ACD11-USA	8692ACD11-USA	8698ACD11-USA
14.0 (ESFR)	3/4"	N/A	8662ACD14-USA	8672ACD14-USA	8682ACD14-USA	8692ACD14-USA	8698ACD14-USA
25.2	-	N/A	N/A	N/A	8682ACD25-USA	8692ACD25-USA	8698ACD25-USA

Domestic Corner Mount Ultimate Riser Assembly with Butterfly Valve and Drain Line

- Schedule 10
- Rolled Grooves
- Butterfly Valve
- Flexible Stainless Steel Drain Line

Available Options:

- Schedule 40 with Cut Groove
- Remove the "D" from the Part Number to order without Flexible Drain Line



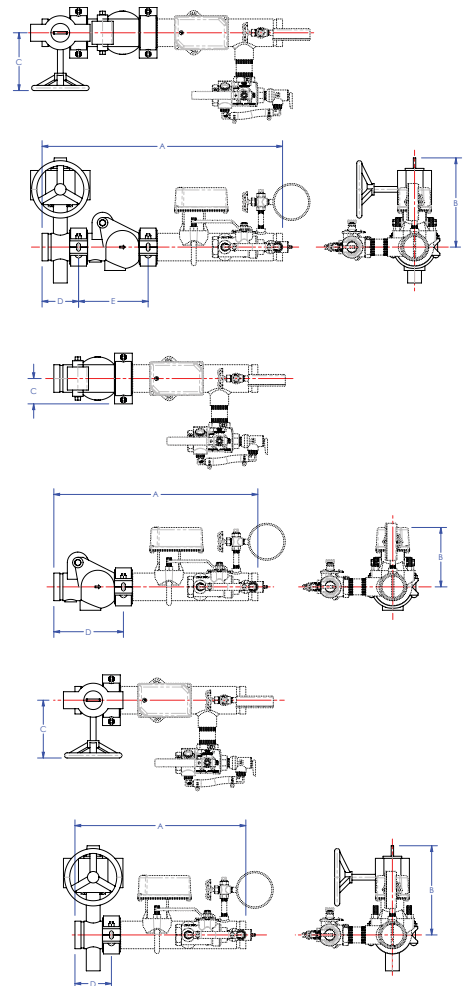
Ultimate RISERPACK with Butterfly Valve Part Numbers							
Orifice Size		2"	2½"	3"	4"	6"	8"
K-Factor	Fractional						
2.8	3/8"	8657ABD28-USA	8662ABD28-USA	8672ABD28-USA	8682ABD28-USA	8692ABD28-USA	8698ABD28-USA
4.2	7/16"	8657ABD42-USA	8662ABD42-USA	8672ABD42-USA	8682ABD42-USA	8692ABD42-USA	8698ABD42-USA
5.6	1/2"	8657ABD56-USA	8662ABD56-USA	8672ABD56-USA	8682ABD56-USA	8692ABD56-USA	8698ABD56-USA
8.0	17/32"	8657ABD80-USA	8662ABD80-USA	8672ABD80-USA	8682ABD80-USA	8692ABD80-USA	8698ABD80-USA
11.2 (ELO)	5/8"	8657ABD11-USA	8662ABD11-USA	8672ABD11-USA	8682ABD11-USA	8692ABD11-USA	8698ABD11-USA
14.0 (ESFR)	3/4"	N/A	8662ABD14-USA	8672ABD14-USA	8682ABD14-USA	8692ABD14-USA	8698ABD14-USA
25.2	-	N/A	N/A	N/A	8682ABD25-USA	8692ABD25-USA	8698ABD25-USA

Dimensions

Butterfly and Check Valve	Size	A	B	C	D	E
	2"	24"	6¼"	4"	3¼"	6¾"
	2½"	25"	6¾"	4"	3¾"	7¼"
	3"	25½"	7"	4"	3¾"	7¾"
	4"	26¾"	10"	5"	4⅝"	8⅝"
	6"	32⅝"	11"	5"	5⅝"	12¾"
	8"	33⅝"	15⅝"	7⅞"	5¼"	14⅞"

Check Valve	Size	A	B	C	D	E
	2"	20¾"	6¼"	2¾"	6¾"	-
	2½"	21¼"	6¼"	3"	7¼"	-
	3"	21¾"	6½"	3⅞"	7¾"	-
	4"	22⅞"	7"	3⅝"	8⅞"	-
	6"	26¾"	8⅞"	5"	12¾"	-
	8"	28⅝"	9⅞"	6¼"	14⅞"	-

Butterfly Valve	Size	A	B	C	D	E
	2"	17¼"	6¼"	4"	3¼"	-
	2½"	17¾"	6¾"	4"	3¾"	-
	3"	17¾"	7"	4"	3¾"	-
	4"	18⅞"	10"	5"	4⅝"	-
	6"	19⅞"	11"	5"	5⅝"	-
	8"	19¼"	15⅝"	7⅞"	5¼"	-



Ultimate RiserPACK Kits for Model 8000

Ultimate RiserPACK Kits are floor control add-ons for model 8000, 8011, and 8611 (commercial steel risers only). They give you the option of adding a butterfly valve, check valve, or butterfly valve and check valve upgrade to your RiserPACK (Ultimate Kits fit both schedule 10 and schedule 40 manifolds). All Ultimate RiserPACK Kit components are UL listed and FM approved. Domestic options available.



Butterfly Valve Kit

Includes: Butterfly Valve and Grooved Coupling

BFV Kit	
Size	Part No.
2"	BFV-20
2½"	BFV-25
3"	BFV-30
4"	BFV-40
6"	BFV-60
8"	BFV-80

FDL-100

Kit Includes: 1" x 32" Male NPT x Male NPT Drain Line and 1 Union.
Fits 2" RiserPACK Sizes.



FDL-100 Kit	
Part No.	
FDL-100	



Check Valve Kit

Includes: Check Valve and Grooved Coupling

CKV Kit	
Size	Part No.
2"	CKV-20
2½"	CKV-25
3"	CKV-30
4"	CKV-40
6"	CKV-60
8"	CKV-80

FDL-125

Kit Includes: 1¼" x 36" Male NPT x Groove Drain Line and 1 Coupling.
Fits 2½" & 3" RiserPACK Sizes.



FDL-125 Kit	
Part No.	
FDL-125	



Butterfly and Check Valve Kit

Includes: Butterfly Valve, Check Valve, and 2 Grooved Couplings

BFVCKV Kit	
Size	Part No.
2"	BFVCKV-20
2½"	BFVCKV-25
3"	BFVCKV-30
4"	BFVCKV-40
6"	BFVCKV-60
8"	BFVCKV-80

FDL-200

Kit Includes: 2" x 48" Groove x Groove Drain Line and 2 Couplings.
Fits 4", 6", & 8" RiserPACK Sizes.



FDL-200 Kit	
Part No.	
FDL-200	

Original Manufacturer's Part Reference Numbers

Butterfly Valve ASC Part Numbers*					
2"	2½"	3"	4"	6"	8"
4324000054	3230000002	3230000004	3230000006	3230000010	3230000012

Check Valve ASC Part Numbers*					
2"	2½"	3"	4"	6"	8"
4323000100	4323000102	4323000104	4323000106	4323000110	4323000112

*Domestic Options Available

NOTE: UL and FM standards for sprinkler system pressure relief valves require relief valves to operate within a range of their ratings. FM requires a relief valve to OPEN at a pressure no less than 85% of their rating and UL requires OPENING at a pressure no greater than 105% of their rating. Both standards require the relief valves to CLOSE within a percentage below OPEN. Choose the relief valve comparing static pressure to 90% of the relief valve's rating to determine the estimated minimum OPENING and 80% of the relief valve's rating for approximate maximum CLOSING. The relief valve should be installed where it is easily accessible for maintenance. Care should be taken that the relief valve CANNOT be isolated from the system when the system is operational. A relief valve should NEVER have a shutoff valve or a plug downstream of its outlet.

USA Patent and Other Patents Pending

Installation Orientation

Horizontal

Vertical

Rating

300 PSI

Compliance

NFPA 13

Approvals

UL/ULC (EX27218, EX4019, EX4533 & EX6266)

FM Approved Components

Domestic Ultimate RISERPACK Kits for Model 8000

Domestic Ultimate RISERPACK Kits are floor control add-ons for model 8000, 8011, and 8611 (commercial steel risers only). They give you the option of adding a butterfly valve, check valve, or butterfly valve and check valve upgrade to your RISERPACK (Ultimate Kits fit both schedule 10 and schedule 40 manifolds). All Ultimate RISERPACK Kit components are UL listed and FM approved. Domestic options available.



Butterfly Valve Kit

Includes: Butterfly Valve and Grooved Coupling

BFV Kit	
Size	Part No.
2"	BFV-20-USA
2½"	BFV-25-USA
3"	BFV-30-USA
4"	BFV-40-USA
6"	BFV-60-USA
8"	BFV-80-USA

FDL-100

Kit Includes: 1" x 32" Male NPT x Male NPT Drain Line and 1 Union.
Fits 2" RISERPACK Sizes.



FDL-100 Kit	
Part No.	
FDL-100-USA	



Check Valve Kit

Includes: Check Valve and Grooved Coupling

CKV Kit	
Size	Part No.
2"	CKV-20-USA
2½"	CKV-25-USA
3"	CKV-30-USA
4"	CKV-40-USA
6"	CKV-60-USA
8"	CKV-80-USA

FDL-125

Kit Includes: 1¼" x 36" Male NPT x Groove Drain Line and 1 Coupling.
Fits 2½" & 3" RISERPACK Sizes.



FDL-125 Kit	
Part No.	
FDL-125-USA	



Butterfly and Check Valve Kit

Includes: Butterfly Valve, Check Valve, and 2 Grooved Couplings

BFVCKV Kit	
Size	Part No.
2"	BFVCKV-20-USA
2½"	BFVCKV-25-USA
3"	BFVCKV-30-USA
4"	BFVCKV-40-USA
6"	BFVCKV-60-USA
8"	BFVCKV-80-USA

FDL-200

Kit Includes: 2" x 48" Groove x Groove Drain Line and 2 Couplings.
Fits 4", 6", & 8" RISERPACK Sizes.



FDL-200 Kit	
Part No.	
FDL-200-USA	

Original Manufacturer's Part Reference Numbers

Butterfly Valve ASC Part Numbers					
2"	2½"	3"	4"	6"	8"
7005015008	7005015024	700501040	700501068	7005015107	7005015123

Check Valve ASC Part Numbers					
2"	2½"	3"	4"	6"	8"
7005010140	7005010157	7005010165	7005010173	7005010199	7005010203

Coupling Part Numbers						
1¼"	2"	2½"	3"	4"	6"	8"
1605012283	1605012309	1605012358	1605012408	1605012457	1605012507	1605012515

NOTE: UL and FM standards for sprinkler system pressure relief valves require relief valves to operate within a range of their ratings. FM requires a relief valve to OPEN at a pressure no less than 85% of their rating and UL requires OPENING at a pressure no greater than 105% of their rating. Both standards require the relief valves to CLOSE within a percentage below OPEN. Choose the relief valve comparing static pressure to 90% of the relief valve's rating to determine the estimated minimum OPENING and 80% of the relief valve's rating for approximate maximum CLOSING. The relief valve should be installed where it is easily accessible for maintenance. Care should be taken that the relief valve CANNOT be isolated from the system when the system is operational. A relief valve should NEVER have a shutoff valve or a plug downstream of its outlet.

Installation Orientation

Horizontal
Vertical

Rating

300 PSI

Compliance

NFPA 13

Approvals

UL/ULC (EX27218, EX4019, EX4533 & EX6266)

FM Approved Components



USA Patent and Other Patents Pending



AGF Manufacturing

100 Quaker Lane • Malvern, PA 19355

Phone: 610-240-4900

Fax: 610-240-4906

orders@agfmfg.com

www.agfmfg.com