



AGF Manufacturing Inc.

COLLECT_{AN}DRAIN[®]

Model 5690A

Installation Instructions

Inspection:

Unpack the Model 5690A Mounting Kit and carefully inspect it for any damage caused during shipping. Verify all contents below are included.

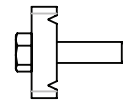
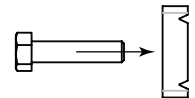
Each M5690A includes:

- 5546: $\frac{5}{16}$ " Washers (28)
- 5689: $\frac{5}{16}$ " x $1\frac{3}{4}$ " Bolts (4)
- 5691: Mounting Plate (1)
- 5692: Flashing
- 5693: Cross Bracket
- 5694: $\frac{5}{16}$ " x $\frac{3}{4}$ " Bolts (12)
- 5695: $\frac{5}{16}$ " Nuts (20)
- 5696: Blank Flashing
- 5697-17: Struts (2)
- 5698: Strut Nuts (4)
- 5699: Square Strut Washers (4)

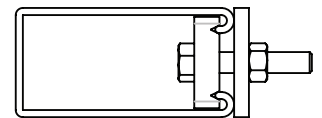
Installation:

The Model 5690A Mounting Kit is designed for the COLLECT_{AN}DRAIN M5400, M5450, and M5500 outdoor models that utilize the Model 5680A Outdoor Cover and are mounted to non-standard walls (I-beams or round bollards), or where standoffs are required on a standard wall. The mounting kit installs behind the COLLECT_{AN}DRAIN so the outdoor cover can be secured over the cabinet.

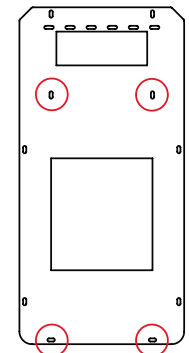
1. Install the struts to the desired surface 29" apart vertically on center. If possible, use the indicated slots of the mounting plate (5691) as a template. Mounting hardware for the struts is not provided.
2. Thread the four longer bolts (5689) all the way into the back (smooth side) of the four strut nuts (5698).
3. Slide the grooves of the strut nut into the strut channel and secure it by using a square washer (5699) and nut (5695). Hand-tighten the strut nut assembly so it can slide freely within the strut. Repeat for the remaining three strut nuts.
4. Using the mounting plate (5691), align the strut nut assemblies (two per strut) up with the mounting slots on the plate. Once they are in their desired position, remove the mounting plate and tighten the strut nuts.
5. Place the mounting plate (5691) back onto the strut nut assemblies.
6. Install the COLLECT_{AN}DRAIN cabinet over the mounting plate onto the strut nut assemblies (discard the rubber spacers provided with the cabinet). Once the cabinet is plumb, secure each mounting tab using a washer (5546) and a nut (5695). *AGF recommends using the aid of a helper when installing the COLLECT_{AN}DRAIN cabinet.*



STEP 2

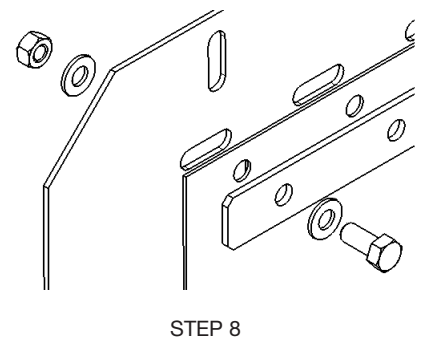
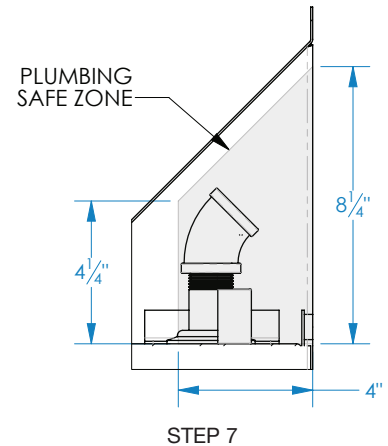


STEP 3



STEP 1 & 4

7. Ensure the electrical conduit and plumbing will be in the safe zone above the cabinet where they can pass through the rectangular opening of the mounting plate. Then, on the rear of the mounting plate test fit the flashing (5692) by lining it up with the six mounting slots at the top and making sure it lines up with the conduit and plumbing. If the conduit and plumbing do not line up with the openings in the flashing use the blank flashing (5696) and cut custom openings to fit.
8. Once the flashing fits over the conduit and plumbing, place the cross bracket (5693) over the flashing and bolt the cross bracket and flashing to the rear of the mounting plate using the six bolts (5694), twelve washers (5546), and six nuts (5695). Use the slots in the mounting plate to adjust the flashing as needed then, tighten.
9. Slide the COLLECTANDRAIN Model 5680 Outdoor Cover over the cabinet. The internal stops of the outdoor cover should rest on top of the cabinet and both sides of the cover should be slightly below the bottom of the cabinet with the mounting holes of the flange lining up with the mounting holes of the plate. If the mounting holes of the flange do not line up with the mounting holes of the plate, investigate why and correct the issue before proceeding to the next step.
10. With the outdoor cover pulled slightly away from the mounting plate, run a bead of caulk or sealant around the back of the flange, and across the top of the cross bracket on the rear of the mounting plate.
11. Push the outdoor cover against the mounting plate. Using the six bolts (5694), twelve washers (5546), and six nuts (5695) hand-tighten the the outdoor cover onto the mounting plate.
12. Using a clamp or the aid of a helper, squeeze the bottom sides of the outdoor cover so they are tight to the cabinet and install the tie-down (included with the outdoor cover) to the bottom of the outdoor cover using the four sheet metal screws (5582), provided with the outdoor cover, to a maximum of 50 in. lbs. Then, remove the clamp (if used).
13. Finish by tightening the bolts on the cover's flange to the mounting plate.



AGF Manufacturing
 100 Quaker Lane • Malvern, PA 19355

Phone: 610-240-4900
 techsupport@agfmfg.com

www.agfmfg.com