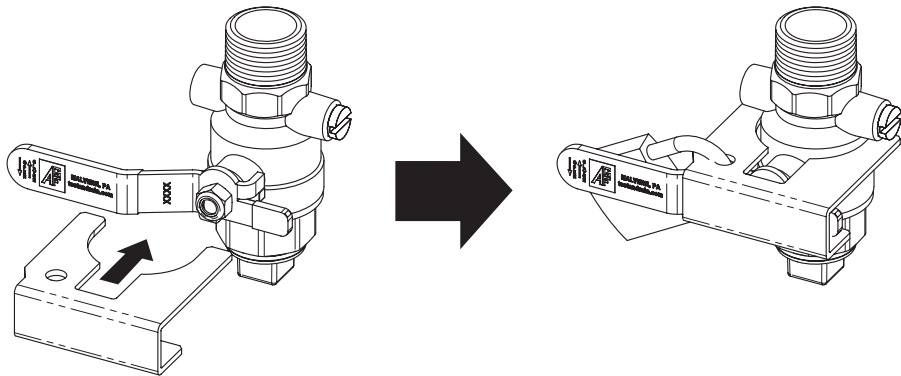




# COLLECTANDRAIN<sup>®</sup>

## Part #873, Ball Valve Locking Plate Installation Instructions



1. Place Lock Plate (Part #873) over closed ball valve handle as shown with longer tabs above the handle.

2. Install lock's shackle (up to 5/16" diameter) into the hole and lock.