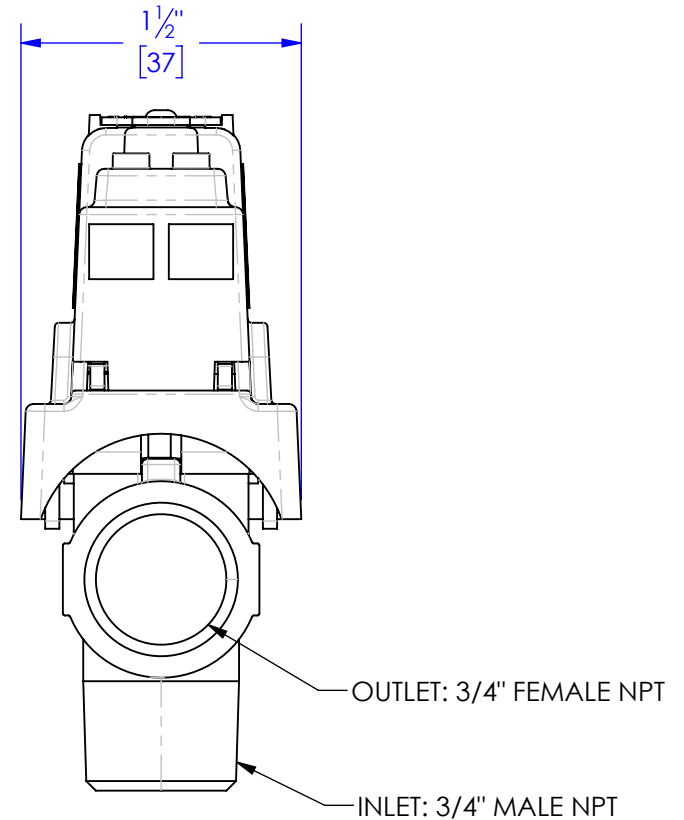
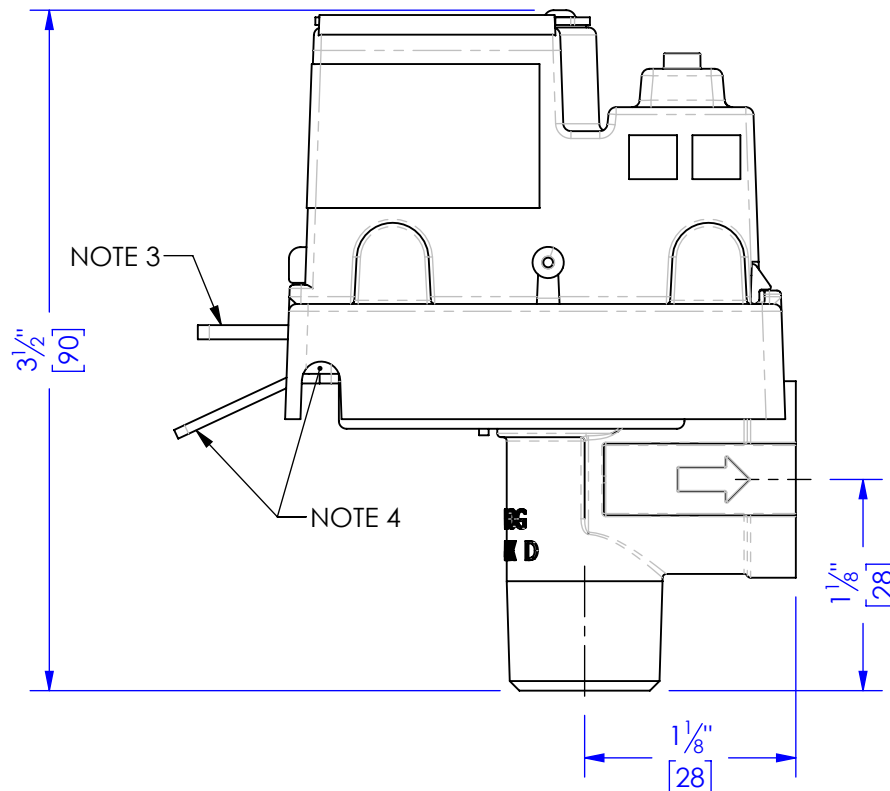


NOTES:

1. PRESSURE SETTINGS: 175, 225 AND 300 PSI
2. UL LISTED & FM APPROVED.
3. FLUSH: LIFT FLUSH TAB.
4. HYDROTEST: PRESS HYDRO TAB, INSERT 5/32" HEX KEY INTO OPENING.
5. MAY BE INSTALLED VERTICALLY OR HORIZONTALLY.
6. ROUNDED TO NEAREST 1/8" [1mm].



AGF Manufacturing, Inc.
 100 Quaker Lane
 Malvern, PA 19355
 Ph. 610-240-4900
 Fax 610-240-4906
 www.agfmfg.com

DIMENSIONS ARE IN INCHES & [mm]			
DRAWN	BFG	DATE	08OCT2021
APPR'D		DATE	
MATERIAL	VARIOUS		SCALE
PROJECT	REFERENCE DRAWING		1:1
		WEIGHT	0.0 LBS.
		PROJECTION	

TITLE		
RELIEF VALVE, 1/2", LOCKING		
SIZE	PART/DRAWING NO.	REV
A	M7000L	0