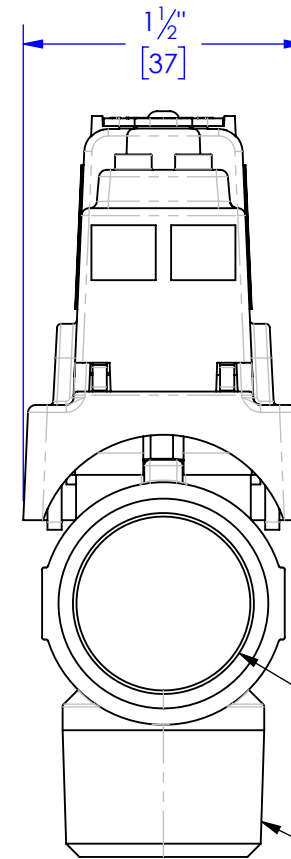
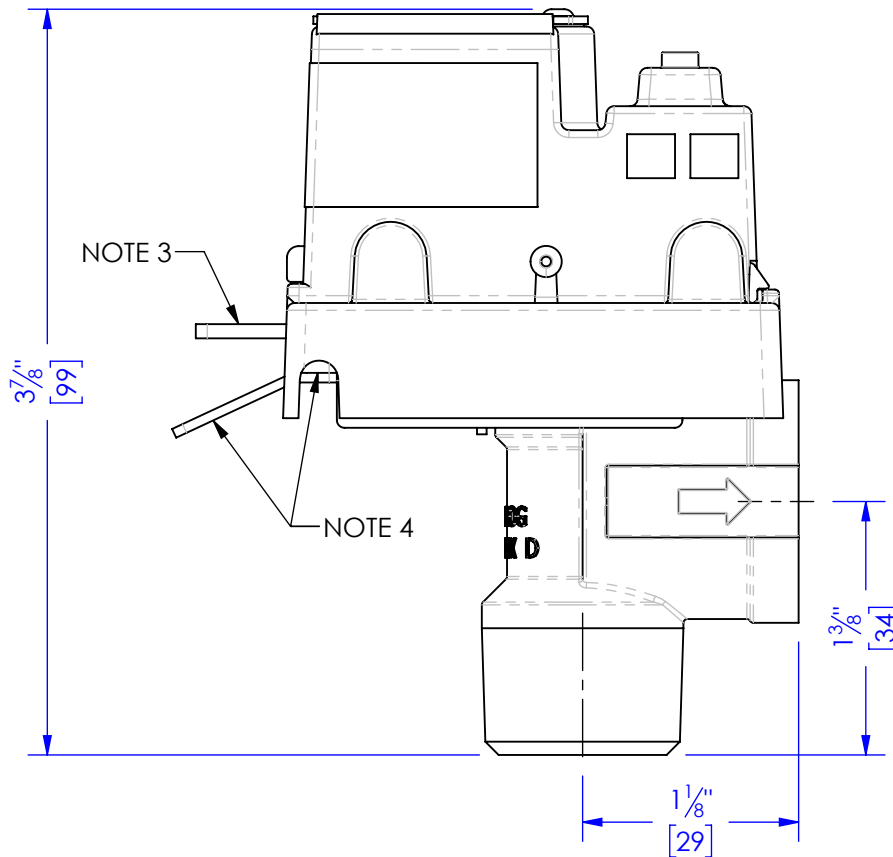


NOTES:

1. PRESSURE SETTING: 175 PSI
2. UL LISTED & FM APPROVED.
3. FLUSH: LIFT FLUSH TAB.
4. HYDROTEST: PRESS HYDRO TAB, INSERT 5/32" HEX KEY INTO OPENING.
5. MAY BE INSTALLED VERTICALLY OR HORIZONTALLY.
6. ROUNDED TO NEAREST 1/8" [1mm].



OUTLET: 3/4" FEMALE NPT

INLET: 3/4" MALE NPT



**AGF Manufacturing, Inc.**  
 100 Quaker Lane  
 Malvern, PA 19355  
 Ph. 610-240-4900  
 Fax 610-240-4906  
 www.agfmfg.com

**DIMENSIONS ARE IN INCHES & [mm]**

DRAWN	BFG	DATE	08OCT2021	SCALE	1:1
APPR'D		DATE		WEIGHT	0.0 LBS.
MATERIAL	VARIOUS			PROJECTION	
PROJECT	REFERENCE DRAWING				

TITLE		
<b>RELIEF VALVE, 3/4", LOCKING</b>		
SIZE	PART/DRAWING NO.	REV
<b>A</b>	<b>M7200L</b>	<b>0</b>