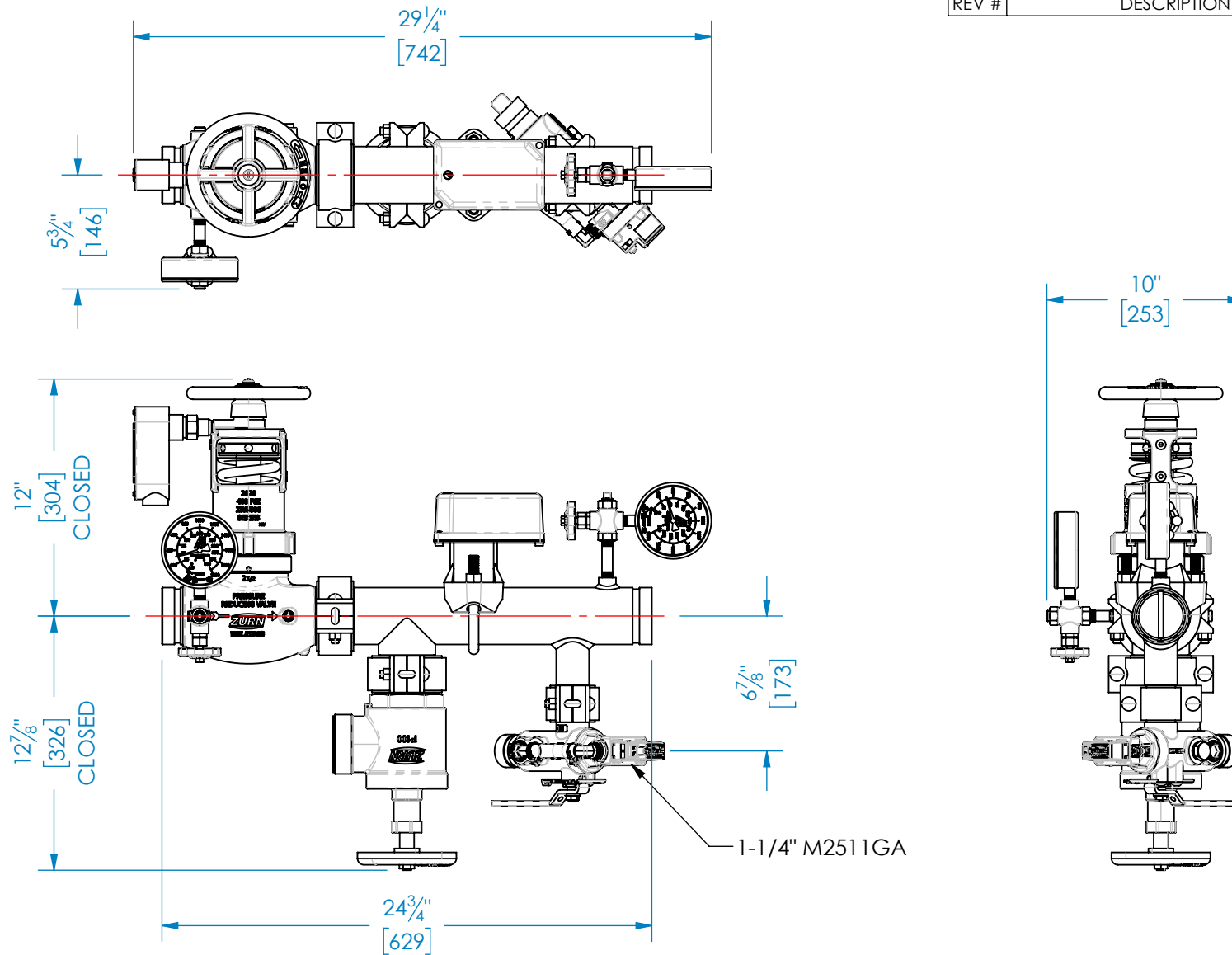


REVISIONS			
REV #	DESCRIPTION	DRAWN	DATE



NOTE: DIMENSIONS ROUNDED TO THE NEAREST 1/8".

ASSY NO	K
8560Z	2.8
8561Z	4.2
8562Z	5.6
8563Z	8.0
8564Z	11.2 ELO
8565Z	14.0 ESR



AGF Manufacturing, Inc.
 100 Quaker Lane
 Malvern, PA 19355
 Ph. 610-240-4900
 Fax 610-240-4906
 www.agfmfg.com

DIMENSIONS ARE IN INCHES & [mm]				
DRAWN	BFG	DATE	22ARP2024	
APPR'D		DATE		
MATERIAL	VARIOUS		SCALE	1:8
PROJECT	REFERENCE DRAWING		WEIGHT	60 LBS
			PROJECTION	

TITLE		
RISERPACK, 2.5" ZURN		
SIZE	PART/DRAWING NO.	REV
A	856XZ	0