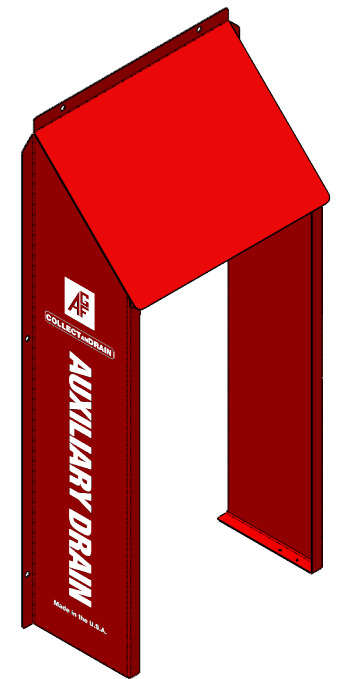
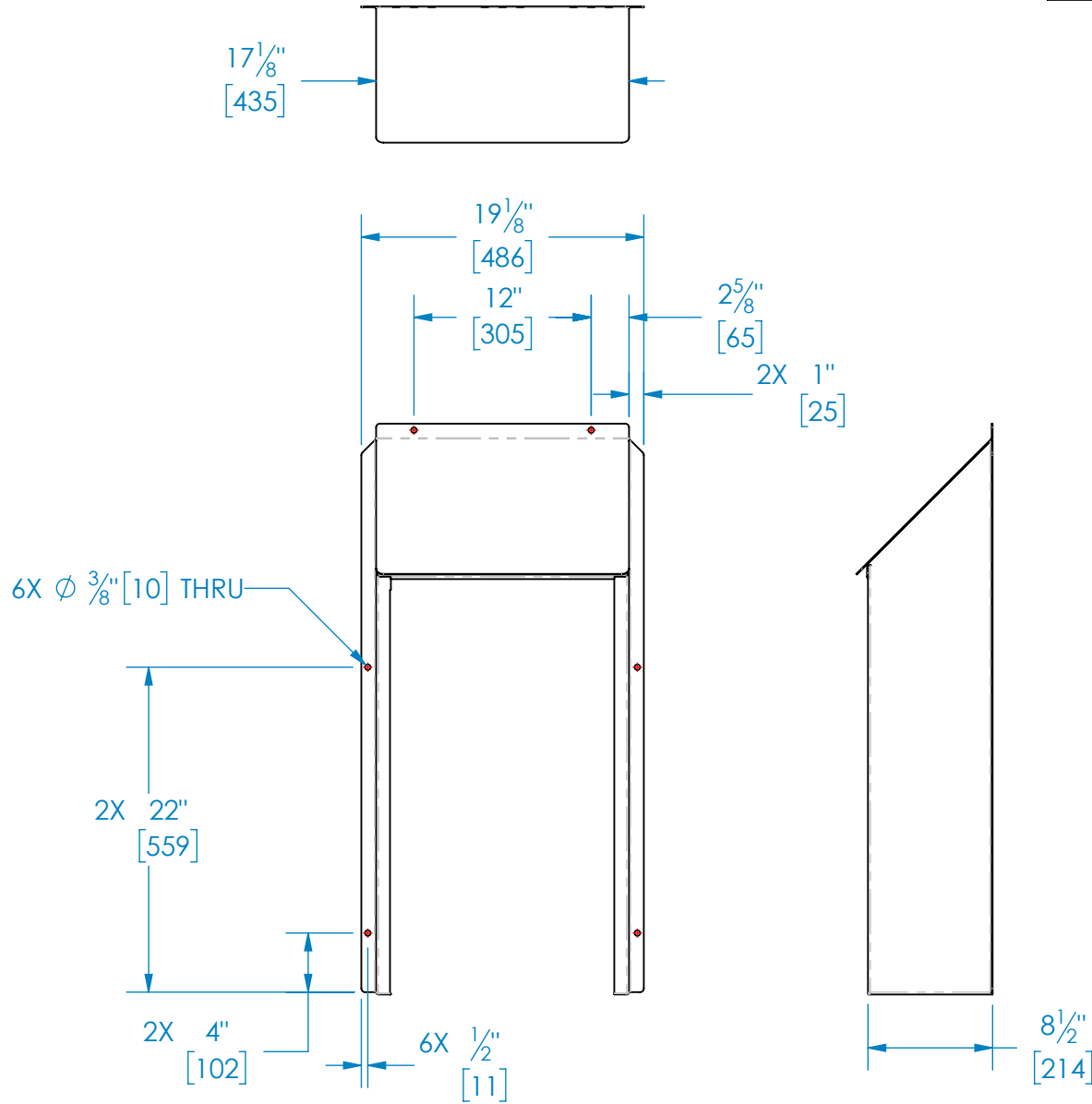
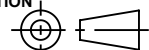


REVISIONS			
REV #	DESCRIPTION	DRAWN	DATE




AGF Manufacturing, Inc.
 100 Quaker Lane
 Malvern, PA 19355
 Ph. 610-240-4900
 Fax 610-240-4906
 www.agfmfg.com

DIMENSIONS ARE IN INCHES & [mm]			
DRAWN	BFG	DATE	18JAN2023
APPR'D		DATE	
MATERIAL	STEEL		WEIGHT
PROJECT	REFERENCE DRAWING		17.2 LBS.
		PROJECTION	

TITLE		
OUTDOOR COVER, M5500		
SIZE	PART/DRAWING NO.	REV
A	5680	0