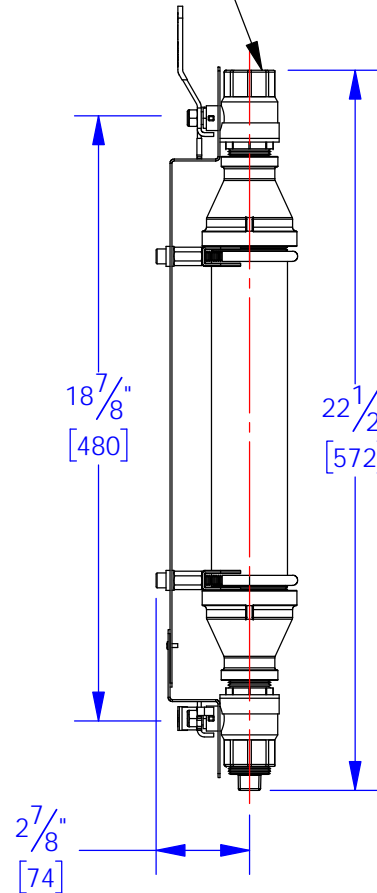


1" NPT FEMALE CONNECTION



AGF Manufacturing, Inc.
 100 Quaker Lane
 Malvern, PA 19355
 Ph. 610-240-4900
 Fax 610-240-4906
www.testandrain.com

DIMENSIONS ARE IN INCHES & [mm]

DRAWN	BFG	DATE	25JUL2018	SCALE	1:6
APPR'D		DATE		WEIGHT	11.0 lbs
MATERIAL					
PROJECT	REFERENCE DRAWING				

TITLE

M5200
COLLECT AND DRAIN SYSTEM

SIZE
A

DWG NO.
M5200A

REV
1