



Model 8000/8011 COMMERCIAL RISERPACK®

Pre-Assembled TEST_{AND}DRAIN® Riser

Bronze:

1¼"	1½"	2"
-----	-----	----

Sch. 10 Powder Coated:

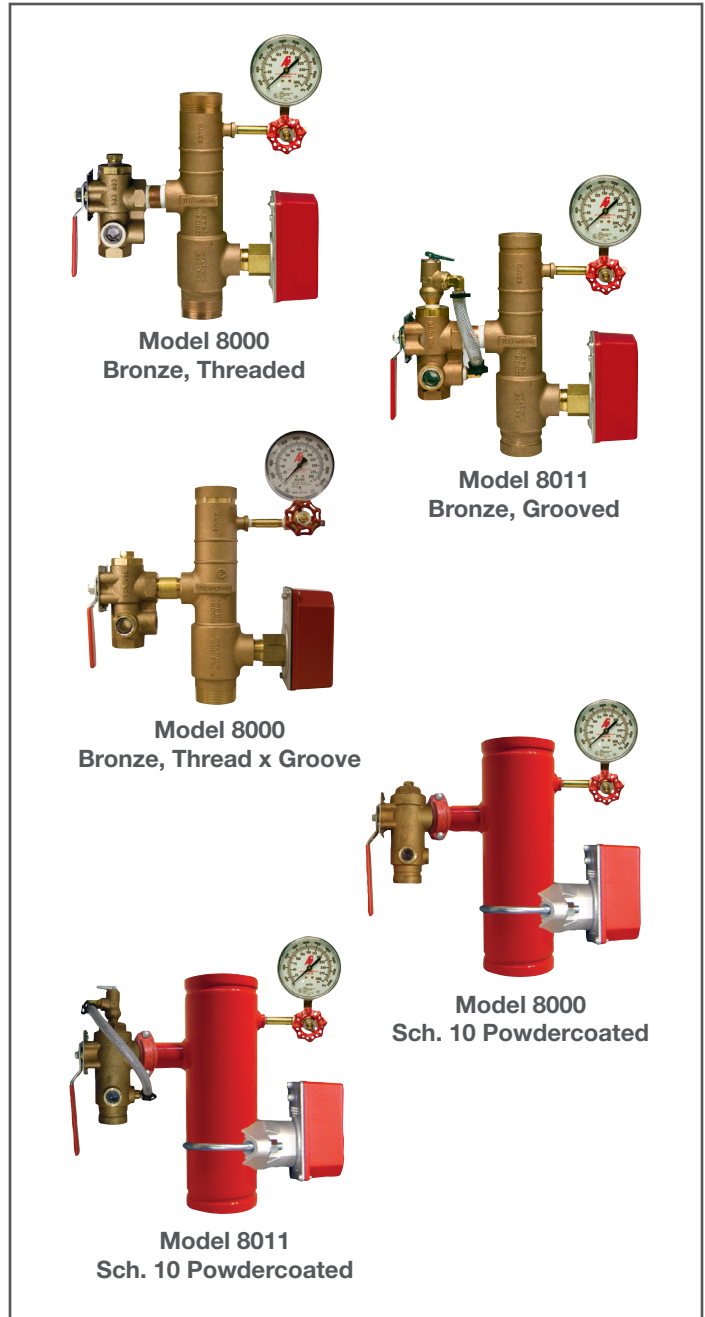
2"	2½"	3"	4"	6"	8"
----	-----	----	----	----	----

The AGF Commercial RISERPACK® Model 8000/8011 are compact pre-packaged economical riser assemblies designed for NFPA 13 wet fire sprinkler systems. Every model utilizes an appropriate sized UL Listed/FM Approved patented AGF Model 2500 or 2511 TEST_{AND}DRAIN® valve designed to comply with NFPA 13 requirements requiring a sight glass for verification during testing through a properly sized orifice. All RISERPACKS® are assembled with UL Listed/FM Approved AGF Model 7500 Pressure Gauge (300 PSI), Model 7600 ¼" 3-Way Globe Valve, and either a 1" NPT or Saddle Mount Water Flow Switch as required by NFPA 13. The Model 8011 includes UL Listed/FM Approved AGF Model 7000 Pressure Relief Valve (175 Rated); other ratings are available and may be substituted: 165, 185, 195, 205, 225, or 250.

- 1¼", 1½", and 2" Models are cast bronze with male threaded, grooved, or threaded x grooved ends.
- 2", 2½", 3", 4", 6", and 8" models are Schedule 10 steel with 3mil red powder coated finish and grooved ends.
- 300 PSI rating
- Horizontal or Vertical Installation
- 1¼", 1½", and 2" models feature a 1" FNPT M2500 or M2511 with available orifice sizes of ⅜" to ⅝" (ELO)
- 2½" and 3" models feature a 1¼" FNPT M2500 or M2511 with available orifice sizes of ⅜" to ¾" (ESFR)
- 4" - 8" models feature a 2" grooved M2500 or M2511 with available orifice sizes of ⅜" to K-25

The Model 2500/2511 TEST_{AND}DRAIN® valve offers a unique design benefit that allows system access through the valve for system integrity testing and/or installation of the optional relief valve trim kit (Model 8011) without draining the system.

NOTE: UL and FM standards for sprinkler system pressure relief valves require relief valves to operate within a range of their ratings. FM requires a relief valve to OPEN at a pressure no less than 85% of their rating and UL requires OPENING at a pressure no greater than 105% of their rating. Both standards require the relief valves to CLOSE within a percentage below OPEN. Choose the relief valve comparing static pressure to 90% of the relief valve's rating to determine the estimated minimum OPENING and 80% of the relief valve's rating for approximate maximum CLOSING. The relief valve should be installed where it is easily accessible for maintenance. Care should be taken that the relief valve CANNOT be isolated from the system when the system is operational. A relief valve should NEVER have a shutoff valve or a plug downstream of its outlet.

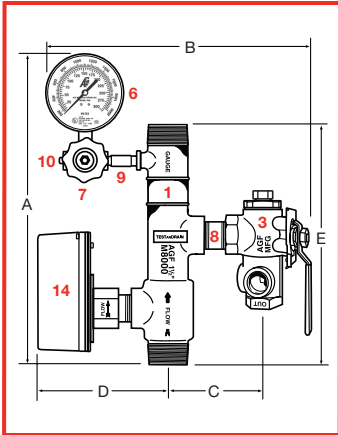


Reliability, Versatility, Code Compatibility

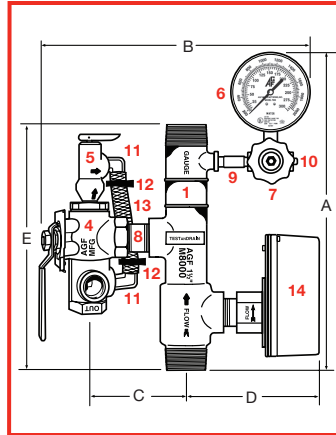


Model 8000/8011 COMMERCIAL RISERPACK®

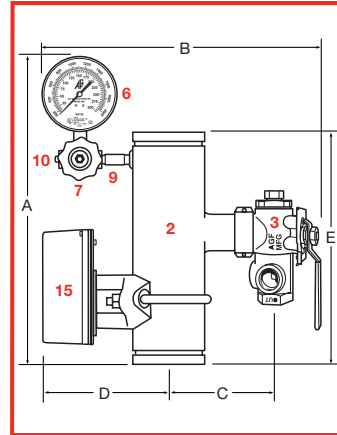
1¼"-2" Model 8000



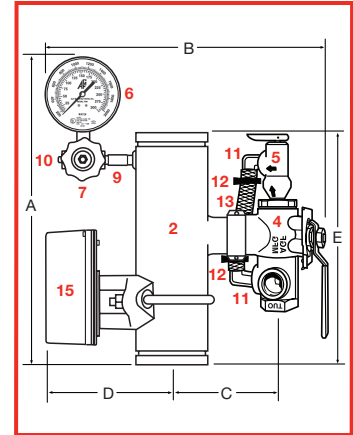
1¼"-2" Model 8011



2"-8" Model 8000



2"-8" Model 8011



Dimensions

SIZE		A	B	C	D	E
BRONZE	1¼"	14½" (369 mm)	14" (356 mm)	4¾" (120 mm)	6½" (165 mm)	11" (279 mm)
	1½"	15½" (394 mm)	14¼" (362 mm)	4¾" (120 mm)	6¾" (171 mm)	12" (305 mm)
	2"	15½" (394 mm)	14¾" (374 mm)	5" (127 mm)	7" (178 mm)	12" (305 mm)
STEEL	2"	17" (432 mm)	12½" (318 mm)	5⅝" (143 mm)	6" (152 mm)	14" (356 mm)
	2½"	17⅝" (435 mm)	14¼" (362 mm)	5⅝" (143 mm)	6" (152 mm)	14" (356 mm)
	3"	17⅝" (435 mm)	15" (381 mm)	5⅞" (149 mm)	6⅜" (162 mm)	14" (356 mm)
	4" *	17⅝" (435 mm)	19" (483 mm)	8" (203 mm)	6⅞" (175 mm)	14" (356 mm)
	6" *	17⅝" (435 mm)	21⅞" (537 mm)	9⅞" (232 mm)	7⅞" (200 mm)	14" (356 mm)
	8" *	17⅝" (435 mm)	23⅞" (587 mm)	10⅞" (257 mm)	8⅞" (225 mm)	14" (356 mm)

*4" - 8" RISERPACKS® feature a 2" groove x groove M2500/2511 TESTANDRAIN® valve.

Dimensions have been rounded to the nearest ¼", except "E".

Confirm that enough space is left between the RISERPACK® and any obstructions to move handle of M2500/2511 TESTANDRAIN® valve into the "TEST" position and into the "DRAIN" position.

Components

Item No.	Part	Qty.
1	RiserPACK - Bronze Casting	1
2	RiserPACK - Sch. 10 Powdercoated*	1
3	M2500 TESTANDRAIN Valve	1
4	M2511 TESTANDRAIN Valve	1
5	M7000 Pressure Relief Valve	1
6	M7500 Pressure Gauge	1
7	M7600 ¼" 3-Way Globe Valve	1
8	Brass Nipple	1
9	Brass Nipple	1
10	¼" Brass Plug	1
11	½" Brass NPT x Barb 90° Elbow	2
12	Clamps	2
13	Nylobraid Drain Tubing	1
14	NPT Water Flow Switch	1
15	Saddle Mount Water Flow Switch	1

*Schedule 40 available

USA Patent and Other Patents Pending



AGF Manufacturing
100 Quaker Lane, Malvern, PA 19355

Phone: 610-240-4900

Fax: 610-240-4906

www.agfmfg.com

Job Name: _____

Architect: _____

Engineer: _____

Contractor: _____