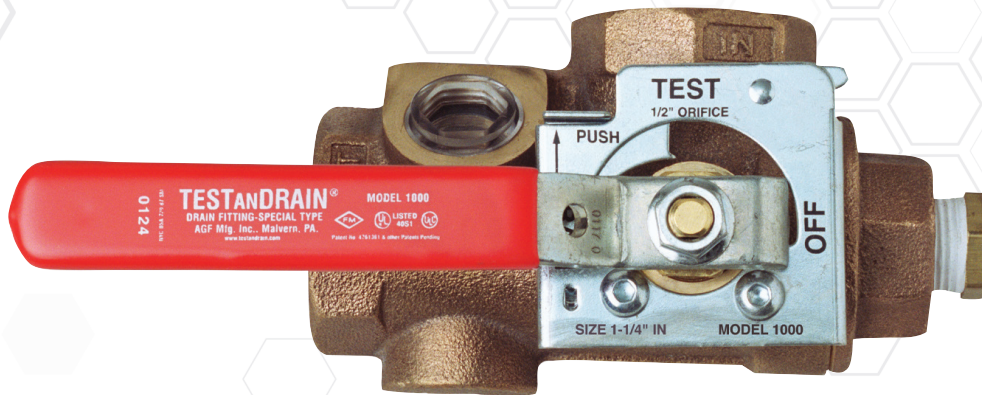


TESTANDRAIN®

Model 1000

QUALITY COMPONENTS FOR FIRE SPRINKLER SYSTEMS



System Test and Express Drain Valve

The AGF TESTANDRAIN Model 1000 is a single-handle ball valve that provides the test and express drain functions for fire sprinkler systems. The single-handle ball valve configuration eliminates the multiple connections needed by traditional loop assemblies.

The Model 1000 is compliant with industry standards which require provisions for properly draining a system (NFPA 13, 13D, and 13R), is 400 PSI rated, includes a tamper-resistant test orifice, sight glass, and is available in a full range of sizes ($\frac{3}{4}$ "–2") with optional orifice sizes (2.8K–25.2K). TESTANDRAIN Model 1000 valves feature a plugged port for system access, are field-serviceable (repair kits sold separately), and offer locking kits for added security.

Features

- NFPA Compliant (13, 13D, and 13R)
- $\frac{3}{4}$ ", 1", 1 $\frac{1}{4}$ ", 1 $\frac{1}{2}$ ", and 2" Sizes
- Orifice Options (2.8K–25.2K)
- Tamper-Resistant Test Orifice and Sight Glass
- Plugged System Access Port
- 400 PSI Rated
- Horizontal or Vertical Installation
- Field Serviceable
- Locking Kits Available

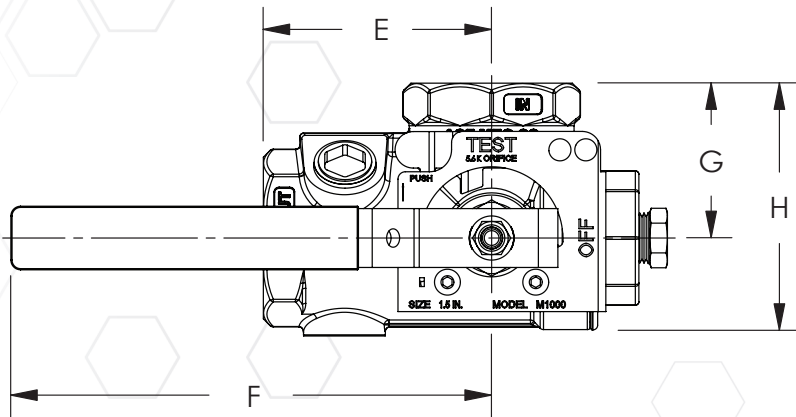
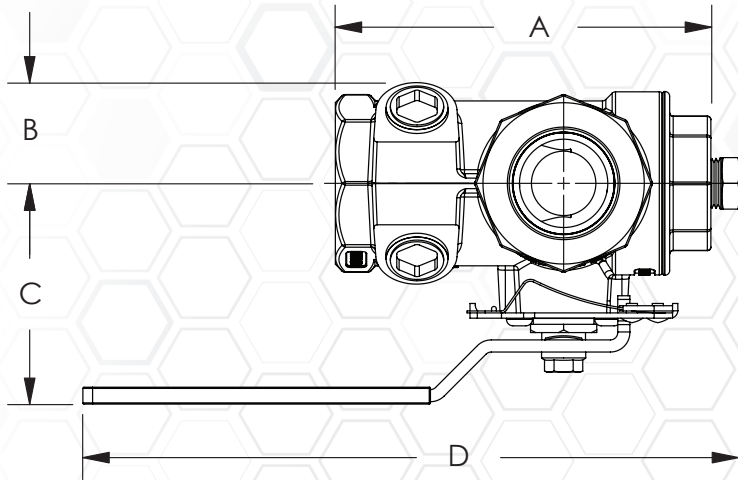
Models

		Model 1000 Part Numbers				
Orifice Size		3/4"	1"	1 $\frac{1}{4}$ "	1 $\frac{1}{2}$ "	2"
K-Factor	Fractional					
2.8	3/8"	100	110	120	130	140
4.2	7/16"	101	111	121	131	141
5.6	1/2"	102	112	122	132	142
8.0	17/32"	103	113	123	133	143
11.2 (ELO)	5/8"	104	114	124	134	144
14.0 (ESFR)	3/4"	-	-	125	135	145
25.2	-	-	-	-	136	146

Most Popular Models



Dimensions



Size	A	B	C	D	E	F	G	H
3/4"	5" (128 mm)	1 3/8" (36 mm)	2 3/8" (60 mm)	6 3/4" (171 mm)	3 3/8" (86 mm)	4 5/8" (116 mm)	1 3/4" (44 mm)	2 7/8" (73 mm)
1"	5" (128 mm)	1 3/8" (36 mm)	2 3/8" (60 mm)	6 3/4" (171 mm)	3 3/8" (86 mm)	4 5/8" (116 mm)	1 3/4" (44 mm)	2 7/8" (73 mm)
1 1/4"	5 3/8" (137 mm)	1 3/8" (36 mm)	2 3/4" (71 mm)	8" (204 mm)	3 3/8" (84 mm)	5 1/2" (139 mm)	2" (50 mm)	3 1/4" (84 mm)
1 1/2"	6 3/8" (162 mm)	1 3/4" (43 mm)	3 3/4" (95 mm)	11 1/8" (283 mm)	3 3/8" (98 mm)	8 1/8" (207 mm)	2 5/8" (67 mm)	4 1/4" (109 mm)
2"	6 3/8" (162 mm)	1 3/4" (43 mm)	3 3/4" (95 mm)	11 1/8" (283 mm)	3 3/8" (98 mm)	8 1/8" (207 mm)	2 5/8" (67 mm)	4 1/4" (109 mm)

Sizes have been rounded to the highest millimeter

USA Patent #4741361 and Other Patents Pending

For use on wet and dry fire sprinkler systems.

Valve Sizes

3/4", 1", 1 1/4", 1 1/2", and 2"

Orifice Options

2.8K, 4.2K, 5.6K, 8.0K, 11.2K (ELO),
14.0K (ESFR), and 25.2K

Connections

Inlet..... NPT
Outlet..... NPT
(BSPT Available)

Installation Orientation

Horizontal
Vertical

Electrical Requirements

None

Materials

Handle Steel
Stem Rod Brass
Ball..... C.P. Brass
Body Bronze
Valve Seat..... Impregnated Teflon®
Indicator Plate Steel

Rating

400 PSI

Compliance

NFPA 13, 13D, & 13R
NYC-BSA No. 720-87-SM

Approvals

UL/ULC (EX4019 & EX4533)
FM



AGF Manufacturing Inc.
100 Quaker Lane, Malvern, PA 19355

Phone: 610-240-4900
Fax: 610-240-4906

www.agfmfg.com

Job Name: _____

Architect: _____

Engineer: _____

Contractor: _____