

TEST_{AND}DRAIN[®]

Model 2500

QUALITY COMPONENTS FOR FIRE SPRINKLER SYSTEMS

System Test and Express Drain Valve

The AGF TEST_{AND}DRAIN Model 2500 is a single-handle ball valve (with an alternative handle location for added installation flexibility) that provides the test and express drain functions for fire sprinkler systems. The single-handle ball valve configuration eliminates the multiple connections needed by traditional loop assemblies.

The Model 2500 is compliant with industry standards which require provisions for properly draining a system (NFPA 13, 13D, and 13R). All models are 300 PSI rated, include a tamper-resistant test orifice and sight glass, are available in a range of sizes (1"–2") with optional orifice sizes (2.8K–25.2K), and NPT or grooved (GRV) inlet/outlet ports. All TEST_{AND}DRAIN valves feature a plugged port for system access, are field-serviceable (repair kits sold separately), and offer locking kits for added security.

Features

- NFPA Compliant (13, 13D, and 13R)
- 1", 1¼", and 2" Sizes
- Orifice Options (2.8K–25.2K)
- Alternative Handle Location
- Tamper-Resistant Test Orifice and Sight Glass
- Plugged System Access Port
- 300 PSI Rated
- Horizontal or Vertical Installation
- Field Serviceable
- Locking Kits Available



NPT



Groove (GRV)

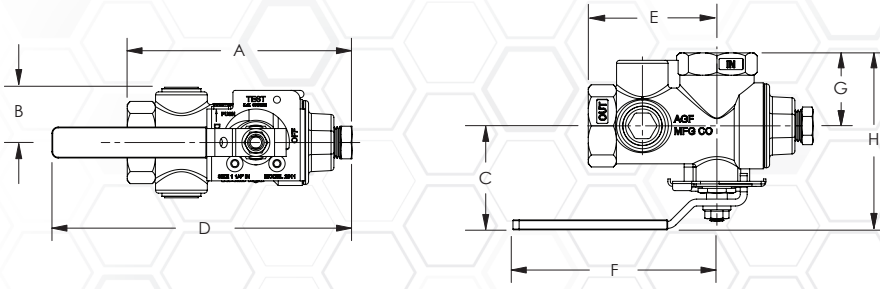
Models

Model 2500 Part Numbers						
Orifice Size		1"		1¼"		2"
K-Factor	Fractional	NPT	GRV	NPT	GRV	GRV
2.8	3/8"	406-0	406G-0	407-0	407G-0	409G-0
4.2	7/16"	406-1	406G-1	407-1	407G-1	409G-1
5.6	1/2"	406-2	406G-2	407-2	407G-2	409G-2
8.0	17/32"	406-3	406G-3	407-3	407G-3	409G-3
11.2 (ELO)	5/8"	406-4	406G-4	407-4	407G-4	409G-4
14.0 (ESFR)	3/4"	-	-	407-5	407G-5	409G-5
25.2	-	-	-	-	-	409G-6

Most Popular Models

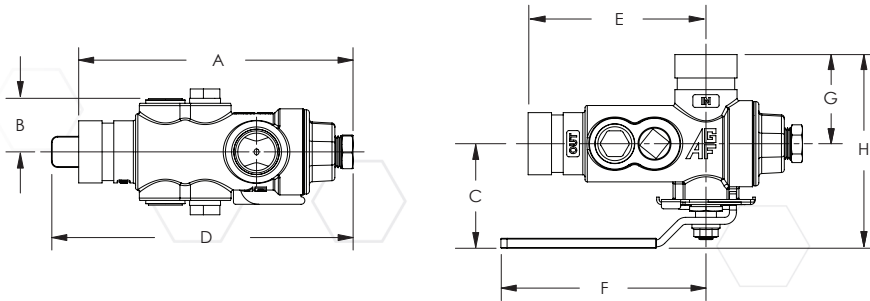


Dimensions



NPT								
Size	A	B	C	D	E	F	G	H
1"	5½" (141 mm)	1¼" (33 mm)	2⅝" (60 mm)	6¾" (171 mm)	3½" (86 mm)	4⅝" (116 mm)	1¾" (44 mm)	4⅛" (103 mm)
1¼"	6" (153 mm)	1½" (38 mm)	2¾" (71 mm)	8" (205 mm)	3½" (88 mm)	5½" (139 mm)	2" (50 mm)	4¾" (121 mm)

Sizes have been rounded to the highest millimeter



GRV								
Size	A	B	C	D	E	F	G	H
1"	6⅝" (169 mm)	1½" (37 mm)	2⅝" (60 mm)	6¾" (171 mm)	4½" (114 mm)	4⅝" (116 mm)	2⅛" (54 mm)	4½" (114 mm)
1¼"	7⅞" (186 mm)	1⅞" (43 mm)	2¾" (71 mm)	8" (205 mm)	4¾" (121 mm)	5½" (139 mm)	2⅝" (60 mm)	5⅞" (131 mm)
2"	8½" (216 mm)	1⅞" (47 mm)	3⅞" (98 mm)	11⅞" (284 mm)	5½" (140 mm)	8⅞" (206 mm)	2¾" (70 mm)	6⅝" (168 mm)

Sizes have been rounded to the highest millimeter

USA Patent #4741361 and Other Patents Pending

For use on wet and dry fire sprinkler systems.

Valve Sizes

1", 1¼", and 2"

Orifice Options

2.8K, 4.2K, 5.6K, 8.0K, 11.2K (ELO),
14.0K (ESFR), and 25.2K

Connections

Inlet..... NPT or Groove (GRV)
Outlet..... NPT or Groove (GRV)
(BSPT Available)

Installation Orientation

Horizontal
Vertical

Electrical Requirements

None

Materials

Handle Steel
Stem Rod Brass
Ball..... C.P. Brass
Body Bronze
Valve Seat..... Impregnated Teflon®
Indicator Plate Steel
Relief Valve Bronze
Bypass Fittings..... Brass
Bypass Tube..... Nylobraid

Rating

300 PSI

Compliance

NFPA 13
NYC-BSA No. 720-87-SM

Approvals

UL/ULC (EX4019 & EX4533)
FM



AGF Manufacturing Inc.
100 Quaker Lane, Malvern, PA 19355

Phone: 610-240-4900
Fax: 610-240-4906

www.agfmfg.com

Job Name: _____

Architect: _____

Engineer: _____

Contractor: _____