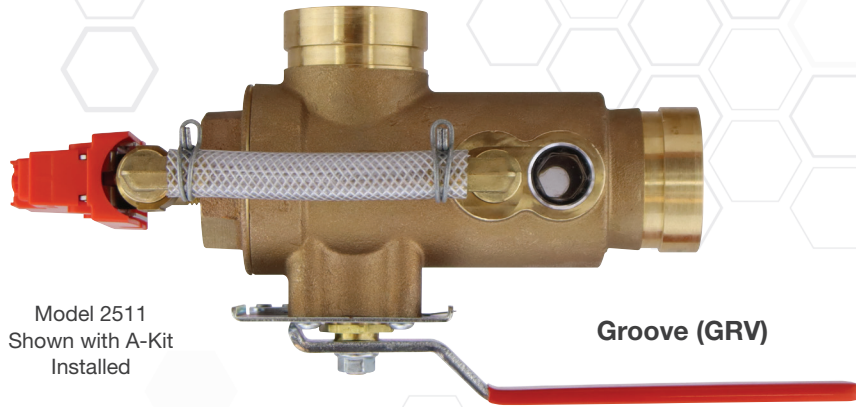


TEST_{AND}DRAIN[®]

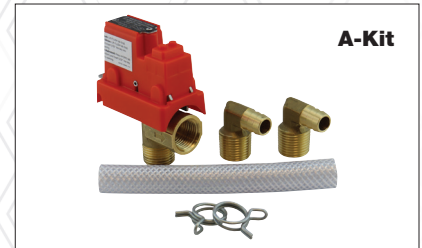
Model 2511

QUALITY COMPONENTS FOR FIRE SPRINKLER SYSTEMS



Model 2511
Shown with A-Kit
Installed

Groove (GRV)



A-Kit



T-Kit

System Test and Express Drain Valve

The UL Listed and FM Approved AGF TEST_{AND}DRAIN Model 2511 is a single-handle ball valve, with an alternate handle location compared to the Model 1011, designed to eliminate the multiple connections needed by traditional loop assemblies while providing the test and express drain functions for wet fire sprinkler systems. TEST_{AND}DRAIN Model 2511 valves are available thread or grooved in 1" - 2" sizes, include sight glasses, and a tamper resistant test orifice in optional sizes (2.8K - 25.2K). All valves are field-serviceable (repair kits sold separately) and are available with locking kits for added security. Model 2511 valves are compliant with NFPA standards which require provisions for properly draining a system.

The **A-Kit** includes a UL Listed and FM Approved, 175 PSI, Model 7000L pressure relief valve (other ratings: 200, 225, and 300 PSI) with drain trim.

The **T-Kit** includes a UL Listed and FM Approved, 175 PSI, Model 7000L pressure relief valve (other rating available), 3-way universal gauge valve for testing, 4" pressure gauge, and drain trim.

Features

- NFPA 13 Compliant
- Thread or Grooved Connections
- 300 PSI Rated
- Tamper-Resistant Sight Glass
- Tamper-Resistant Test Orifice
- Field Serviceable
- Optional Locking Kit

Orifice Size		A-Kit Part Numbers					T-Kit Part Numbers				
		1"		1 1/4"		2"	1"		1 1/4"		2"
K-Factor	Fractional	NPT	GRV	NPT	GRV	GRV	NPT	GRV	NPT	GRV	GRV
2.8	3/8"	406A-0	406GA-0	407A-0	407GA-0	409GA-0	406T-0	406GT-0	407T-0	407GT-0	409GT-0
4.2	7/16"	406A-1	406GA-1	407A-1	407GA-1	409GA-1	406T-1	406GT-1	407T-1	407GT-1	409GT-1
5.6*	1/2"	406A-2	406GA-2	407A-2	407GA-2	409GA-2	406T-2	406GT-2	407T-2	407GT-2	409GT-2
8.0	17/32"	406A-3	406GA-3	407A-3	407GA-3	409GA-3	406T-3	406GT-3	407T-3	407GT-3	409GT-3
11.2 (ELO)	5/8"	406A-4	406GA-4	407A-4	407GA-4	409GA-4	406T-4	406GT-4	407T-4	407GT-4	409GT-4
14.0 (ESFR)	3/4"	-	-	407A-5	407GA-5	409GA-5	-	-	407T-5	407GT-5	409GT-5
25.2	-	-	-	-	-	409GA-6	-	-	-	-	409GT-6

*Most Popular Models

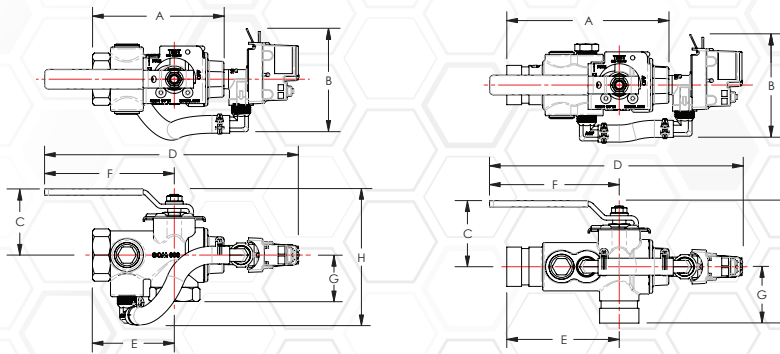


Products shown above may include field installed options.

WWW.AGFMEG.COM

Dimensions

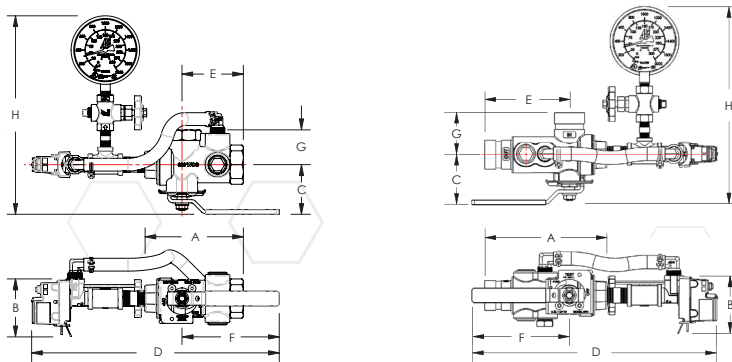
With A-Kit Installed



Size	A		B	C	D	E		F	G		H	
	NPT	GRV				NPT	GRV		NPT	GRV	NPT	GRV
1"	5½" (141)	6¾" (169)	4¼" (109)	2¾" (60)	9¾" (238)	3¾" (86)	4½" (114)	4⅝" (116)	1¾" (44)	2⅝" (54)	5⅝" (129)	4½" (114)
1¼"	6" (153)	7⅞" (186)	4¼" (109)	2¾" (71)	10¾" (273)	3½" (88)	4¾" (121)	5½" (139)	2" (50)	2⅝" (60)	5⅝" (144)	5⅝" (131)
2"	-	8½" (216)	4¼" (109)	3¾" (95)	13⅞" (352)	-	5½" (140)	8⅞" (207)	-	2¾" (70)	-	6½" (165)

Sizes have been rounded to the highest (millimeter)

With T-Kit Installed



Size	A		B	C	D	E		F	G		H
	NPT	GRV				NPT	GRV		NPT	GRV	
1"	5½" (141)	6¾" (169)	4¼" (109)	2¾" (60)	12⅝" (319)	3¾" (86)	4½" (114)	4⅝" (116)	1¾" (44)	2⅝" (54)	10¾" (273)
1¼"	6" (153)	7⅞" (186)	4¼" (109)	2¾" (71)	13⅞" (353)	3½" (88)	4¾" (121)	5½" (139)	2" (50)	2⅝" (60)	11⅞" (282)
2"	-	8½" (216)	4¼" (109)	3¾" (95)	17" (433)	-	5½" (140)	8⅞" (207)	-	2¾" (70)	12⅞" (308)

Sizes have been rounded to the highest (millimeter)

NOTE: UL and FM standards for sprinkler system pressure relief valves require relief valves to operate within a range of their ratings. FM requires a relief valve to OPEN at a pressure no less than 85% of their rating and UL requires OPENING at a pressure no greater than 105% of their rating. Both standards require the relief valves to CLOSE within a percentage below OPEN. Choose the relief valve comparing static pressure to 90% of the relief valve's rating to determine the estimated minimum OPENING and 80% of the relief valve's rating for approximate maximum CLOSING. The relief valve should be installed where it is easily accessible for maintenance. Care should be taken that the relief valve CANNOT be isolated from the system when the system is operational. A relief valve should NEVER have a shutoff valve or a plug downstream of its outlet.

USA Patent #4741361 and Other Patents Pending

For use on wet fire sprinkler systems.

Valve Sizes

1", 1¼", and 2"

Orifice Options

2.8K, 4.2K, 5.6K, 8.0K, 11.2K (ELO),
14.0K (ESFR), and 25.2K

Connections

Inlet..... NPT or Groove (GRV)
Outlet..... NPT or Groove (GRV)

Installation Orientation

Horizontal or Vertical

Electrical Requirements

None

Valve Materials

Handle Steel
Stem Rod Brass
Ball..... C.P. Brass
Body Bronze
Valve Seat..... Impregnated Teflon®
Indicator Plate Steel

Rating

300 PSI

Compliance

NFPA 13
NYC-BSA No. 720-87-SM

Model 2511 Valve Approvals

UL/ULC (EX4019 & EX4533)

FM



AGF Manufacturing Inc.
100 Quaker Lane, Malvern, PA 19355

Phone: 610-240-4900
Fax: 610-240-4906

www.agfmfg.com

Job Name: _____

Architect: _____

Engineer: _____

Contractor: _____